

INSTALLATION MANUAL

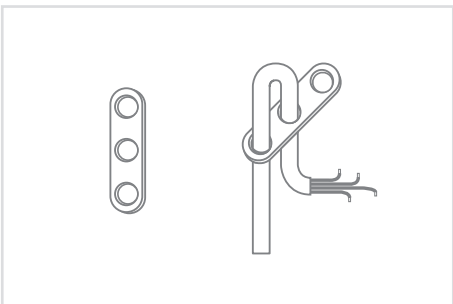
ASP20 SPHERICAL HANGING SPEAKER

STEP 1



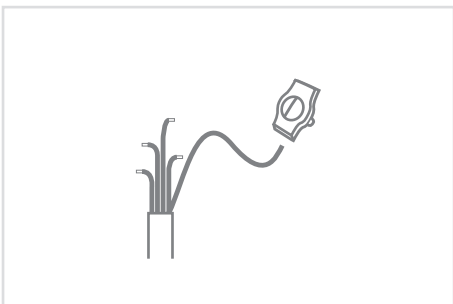
The ASP20 comes with a fixed connection cable with a length of 3.5 meters. The connection cable consists of 5 copper cores whereby the desired power tapping can be selected and a steel core for safe & secure mounting and suspension of the speaker.

STEP 2



Slide the ceiling cover cap over the connection wire and put the connection cable through the bottom hole of the included plastic wire holder as shown in the drawing. Feed the cable through until the required cable length for suspending is reached. Then pull the cable through the second hole (middle one) until it is tight.

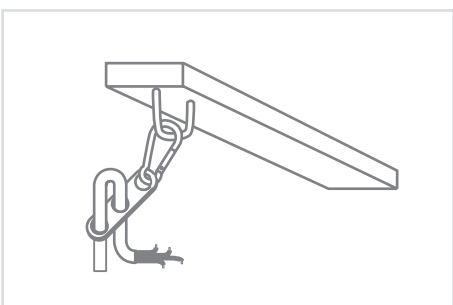
STEP 3



Cut the excess length of the cable to the desired length for reaching the connection box, and remove the outer jacket for about 10 centimeters.

Once the outer jacket is removed, terminate the steel safety wire with a loop whereby it can be hung to the included snap hook. Termination of the steel core is done by inserting into the screw cable clamp, pulling it through and insert it on the other end so a loop is made. Tighten the screw afterwards.

STEP 4



Hang the speaker to the provided point on the ceiling and fix it by suspending the plastic wire holder to it using the included snap hook.

Make sure the suspension point can structurally support the weight of the speaker and choose the fasteners depending on the mounting surface (concrete, wooden, steel, ...).

STEP 5



Connect the speaker. The correct power tapping is chosen by connecting the appropriate conductors to the wires coming from the amplifier. A description of the power tap selection is shown on the sticker on top of the loudspeaker or as follows:

- Red: 250 Ω - 70V/20W
- Yellow: 500 Ω - 100V/20W - 70V/10W
- Blue: 1k Ω - 100V/10W - 70V/5W
- Green: 2k Ω - 100V/5W - 70V/2.5W
- Black: COM

Slide the ceiling cover over the connection and fixation parts to finish it.

INSTALLATION MANUAL

ASP20 SPHERICAL HANGING SPEAKER



PRECAUTIONS

- ALWAYS KEEP THESE INSTRUCTIONS FOR FUTURE REFERENCE. NEVER THROW THEM AWAY
- ALWAYS HANDLE THIS UNIT WITH CARE
- CLEAN ONLY WITH DRY CLOTH
- HEED ALL WARNINGS AND FOLLOW ALL INSTRUCTIONS
- NEVER EXPOSE THIS EQUIPMENT TO RAIN, MOISTURE, ANY DRIPPING OR SPLASHING LIQUID.
- DO NOT INSTALL THIS UNIT NEAR ANY HEAT SOURCES SUCH AS RADIATORS OR OTHER APPARATUS THAT PRODUCE HEAT
- DO NOT PLACE THIS UNIT IN ENVIRONMENTS WITH A HIGH LEVEL OF DUST, HEAT, MOISTURE OR VIBRATION
- THIS UNIT IS DEVELOPED FOR INDOOR USE ONLY. DO NOT USE IT OUTDOORS
- ONLY USE ATTACHMENTS & ACCESSORIES SPECIFIED BY THE MANUFACTURER.
- ONLY INSTALL THE SPEAKER IN LOCATIONS THAT CAN STRUCTURALLY SUPPORT THE WEIGHT OF THE SPEAKER. IGNORING THIS CAN BRING THE SPEAKER DOWN.
- DO NOT USE ANY OTHER METHOD THAN SPECIFIED TO MOUNT THE SPEAKER. IF EXTREME FORCE IS APPLIED TO THE SPEAKER, IT COULD FALL DOWN
- ATTACH A SAFETY WIRE TO THE SPEAKER WHEN IT IS MOUNTED HIGH UP. ONLY USE INDUSTRY-ACCEPTED RIGGING TOOLS AND METHODS
- CAREFULLY CHECK THE UNIT'S CONDITION AFTER UNPACKING.
- IF THERE IS ANY DAMAGE TO THE CARTON BOX OR THE UNIT ITSELF, INFORM YOUR VENDOR IMMEDIATELY.
- ALWAYS FOLLOW THE LOCAL REGULATIONS AND REQUIREMENTS REGARDING INSTALLATION, SUSPENSION AND CONNECTION OF THIS LOUDSPEAKER. EVEN WHEN OTHERWISE SPECIFIED IN THIS DOCUMENT.
- THE INSTALLATION OF THIS LOUDSPEAKER SHALL BE DONE BY QUALIFIED PERSONNEL ONLY.
- USE CABLES OF THE RIGHT GAUGE TO CONNECT THE LOUDSPEAKER
- USE CABLES WITH CLEAR COLOR CODING INDICATING THE POLARITY AND MAINTAIN THE SAME POLARITY THROUGHOUT THE WHOLE SYSTEM.
- ONLY USE THE CORRECT AMPLIFIER OUTPUT VOLTAGE AND IMPEDANCE. EXCEEDING THESE LIMITS COULD CAUSE FIRE OR OTHER FAILURES.
- AVOID EXPLOSIONS: DO NOT USE THE SPEAKER AROUND GASOLINE, THINNER OR OTHER COMBUSTIBLES
- AVOID ELECTRIC SHOCKS: SWITCH OFF THE AMPLIFIER WHEN CONNECTING THE LOUDSPEAKER
- DO NOT USE THE LOUDSPEAKER FOR AN EXTENDED PERIOD OF TIME AT DISTORTED SOUND. THIS COULD CAUSE PERMANENT DAMAGE.

CAUTION - SERVICING

This product contains no user serviceable parts. Refer all servicing to qualified service personnel. Do not perform any servicing (unless you are qualified to do so.)

EC DECLARATION OF CONFORMITY

This product conforms to all the essential requirements and further relevant specifications described in following directives: 2014/30/EU (EMC) and 2014/35/EU (LVD)

WASTE OF ELECTRICAL AND ELECTRONIC EQUIPMENT (WEEE)

The WEEE marking indicates that this product should not be disposed with regular household waste at the end of its product life. This regulation is created to protect both the environment and human health.

This product is developed and manufactured with high quality materials and components which can be recycled and/or reused. Please dispose of this product at your local collection point or recycling center for electrical and electronic waste. Do this to make sure that the product is recycled in an environmental friendly way, and help to protect the environment in which we all live.