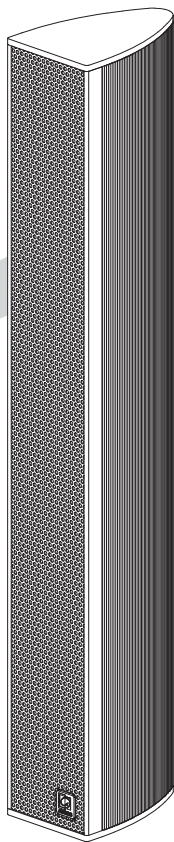


KYRA12/0

User & Installation Manual



www.audac.eu

Introduction

Design column speakers

The KYRA column speakers range is the elegant result of research in the field of phased array acoustics. The selection of the highest quality materials including aluminum cone 2" drivers guarantee an extraordinary detail and clarity for music and speech, which is uncommon for any kind of column speaker available from the market. It makes them perfectly lend themselves to a wide variety of applications in acoustic difficult environments such as churches, auditoriums, presentation and meeting rooms where audibility and intelligibility of music and speech have the highest importance.

They are housed in slim and elegant constructed enclosures made out of aluminum materials and finished with finely perforated grilles. An included mounting bracket with minimum distance to the wall allows swivelling and down-tilting for perfect directional placement.

The outdoor version of the KYRA12 series loudspeakers (KYRA12/0x) feature a special designed waterproof AWX5™ connector, allowing selection for various power tapplings. A water repellent and UV resistant cloth in front of each driver keeps the elements of nature at a safe distance. Further added reliability is achieved by using an aluminium front grill and an electroplated stainless steel mounting bracket. They offer solutions for uniform acoustic performance in any outdoor system while reducing echo and microphone feedback to optimize the intelligibility of music & speech.

A multi-tapping line transformer allows them to be connected to 70V/100V public address systems with various power tapping settings, while connections in low impedance (12Ω) systems are also possible.

Precautions

READ FOLLOWING INSTRUCTIONS FOR YOUR OWN SAFETY

- ALWAYS KEEP THESE INSTRUCTIONS FOR FUTURE REFERENCE. NEVER THROW THEM AWAY
- ALWAYS HANDLE THIS UNIT WITH CARE
- CLEAN ONLY WITH DRY CLOTH
- HEED ALL WARNINGS AND FOLLOW ALL INSTRUCTIONS
- NEVER EXPOSE THIS EQUIPMENT TO RAIN, MOISTURE, ANY DRIPPING OR SPLASHING LIQUID. AND NEVER PLACE AN OBJECT FILLED WITH LIQUID ON TOP OF THIS DEVICE
- DO NOT INSTALL THIS UNIT NEAR ANY HEAT SOURCES SUCH AS RADIATORS OR OTHER APPARATUS THAT PRODUCE HEAT
- DO NOT PLACE THIS UNIT IN ENVIRONMENTS WITH A HIGH LEVEL OF DUST, HEAT, MOISTURE OR VIBRATION
- THIS UNIT IS DEVELOPED FOR INDOOR USE ONLY. DO NOT USE IT OUTDOORS
- ONLY USE ATTACHMENTS & ACCESSORIES SPECIFIED BY THE MANUFACTURER.
- ONLY INSTALL THE SPEAKER IN LOCATIONS THAT CAN STRUCTURALLY SUPPORT THE WEIGHT OF THE SPEAKER. IGNORING THIS CAN BRING THE SPEAKER DOWN.
- DO NOT USE ANY OTHER METHOD THAN SPECIFIED TO MOUNT THE SPEAKER. IF EXTREME FORCE IS APPLIED TO THE SPEAKER, IT COULD FALL DOWN
- ATTACH A SAFETY WIRE TO THE SPEAKER WHEN IT IS MOUNTED HIGH UP. ONLY USE INDUSTRY–ACCEPTED RIGGING TOOLS AND METHODS
- CAREFULLY CHECK THE UNIT’S CONDITION AFTER UNPACKING. IF THERE IS ANY DAMAGE TO THE CARTON BOX OR THE UNIT ITSELF, INFORM YOUR VENDOR IMMEDIATELY.

CAUTION

- USE CABLES OF THE RIGHT GAUGE TO CONNECT THE LOUDSPEAKER
- USE CABLES WITH CLEAR COLOR CODING INDICATING THE POLARITY AND MAINTAIN THE SAME POLARITY THROUGHOUT THE WHOLE SYSTEM.
- ONLY USE THE CORRECT AMPLIFIER OUTPUT VOLTAGE AND IMPEDANCE. EXCEEDING THESE LIMITS COULD CAUSE FIRE OR OTHER FAILURES.
AVOID EXPLOSIONS: DO NOT USE THE SPEAKER AROUND GASOLINE, THINNER OR OTHER COMBUSTIBLES
- AVOID ELECTRIC SHOCKS: SWITCH OFF THE AMPLIFIER WHEN CONNECTING THE LOUDSPEAKER
- DO NOT USE THE LOUDSPEAKER FOR AN EXTENDED PERIOD OF TIME AT DISTORTED SOUND. THIS COULD CAUSE PERMANENT DAMAGE.



CAUTION – SERVICING

This product contains no user serviceable parts. Refer all servicing to qualified service personnel. Do not perform any servicing (unless you are qualified to do so.)



EC DECLARATION OF CONFORMITY

This product conforms to all the essential requirements and further relevant specifications described in following directives: 2014/30/EU (EMC) and 2014/35/EU (LVD)



WASTE ELECTRICAL AND ELECTRONIC EQUIPMENT (WEEE)

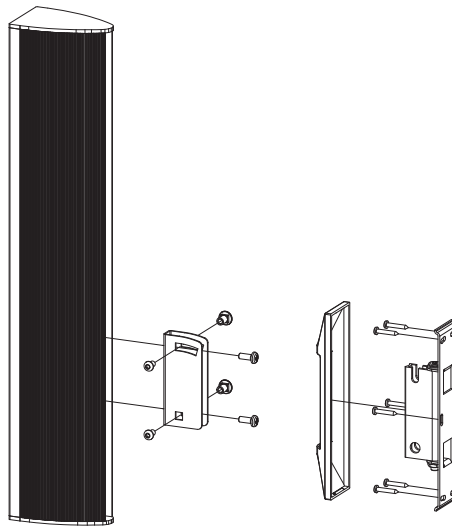
The WEEE marking indicates that this product should not be disposed with regular household waste at the end of its product life. This regulation is created to protect both the environment and human health.

This product is developed and manufactured with high quality materials and components which can be recycled and/or reused. Please dispose this product to your local collection point or recycling centre for electrical and electronic waste. This will make to sure that it will be recycled on an environmentally friendly manner, and will help to protect the environment in which we all live.

Installing the KYRA

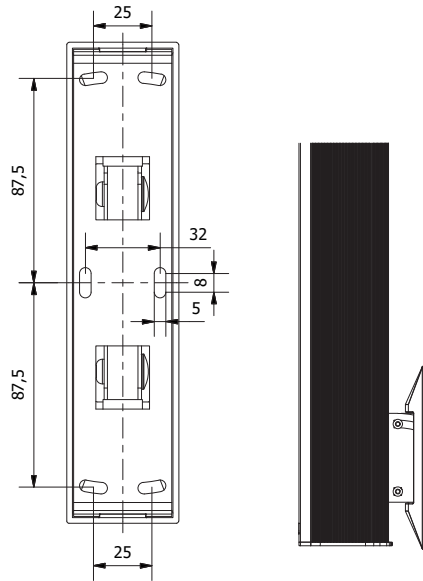
Mounting the speaker

Every KYRA speaker comes delivered with a two-way revolving bracket, making it possible to install the speaker at each position and focusing it into the desired direction. The metal constructed bracket ensures a solid and secure mounting of the loudspeaker to any possible location.

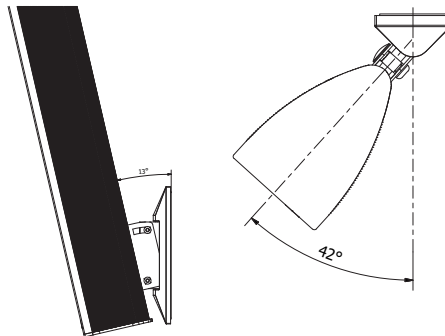


It consists of two different parts, whereof the first part should be installed to the rear side of the loudspeaker. It can be assembled on different heights on the rear of the speaker, depending on the mounting possibilities and required installation height. It is fixated to the loudspeaker cabinet by inserting the 2 supplied mounting screws into the pre-drilled and threaded holes at the back of the speaker cabinet.

The second part is a wall plate which has to be fixed to the wall by at least four screws (preferably six). The type of used fasteners shall be chosen according to the most suitable type for the mounting surface (brick, concrete, wood, ...). The mounting holes are provided according to the positions indicated in the following drawing.



Once both speaker part and wall part are safely attached to their positions, the protective finishing cover can be assembled over the wall plate by clicking it. Afterwards the speaker can be assembled to the wall bracket by bringing both parts together and tightening them through the button head bolt and nuts together through an hex drive key. The upper one can be used for adjusting the tilt-angle of the speaker.



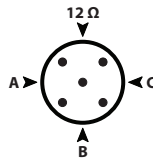
Once installed, the speaker can be panned and tilted, focussing the loudspeaker into the desired listening direction. This is useful when the installation height on the wall is limited or the speaker is mounted from the side. The maximum downward tilt is 13° and the maximum pan in both directions is 42°.

Connecting the speaker

The KYRA12/Ox speakers are designed for use in 70V and 100V public address systems. Before connecting the loudspeakers to the system, make sure the amplifier is switched off.

The power tap selection of the KYRA12/O outdoor series speakers is made through the orientation of the waterproof AWX5™ connector on the rear side of the loudspeaker. This allows connection to the amplifier output using the included connection cable (AWC07) with a length of 0.7 meter. The blue conductor shall always be connected to the COM terminal of the amplifier output and red conductor shall always be connected to the positive terminal of the amplifier output. Mind the polarity markings when wiring the loudspeaker cables.

The power tap selection is made by adjusting the rotation angle of the waterproof connector. A dot on the connector indicates the direction of the connector and the various power tapings are indicated on a label attached to the speaker and in the image below



KYRA12/O			
Tapping	100V	70V	Imp
A	Do not use	40 W	125 Ω
B	40 W	20 W	250 Ω
D	20 W	10 W	500 Ω

After the connector is correctly plugged into the socket, make sure the screw nut is well tightened to guarantee the IP55 waterproof performance of the loudspeaker.

Additional Information

Technical specifications

		KYRA12/0
Max Power		240 Watt
RMS Power		120 Watt
Nominal impedance		12 Ohm
Line transformer taps		125 Ω – 70V/40W 250 Ω – 100V/40W – 70V/20W 500 Ω – 100V/20W – 70V/10W
Drivers		12 x 2" Alu cone full range
Cross-over network		Passive built-in (low-cut filter)
Connectors		AWX5™
Mounting bracket		2-Way revolving metal bracket (stainless)
Construction		Alu extrusion + plastic caps
Front finish		Fine perforated aluminum grill
Ingress protection		IP55
Operation temperature range		-20°C to +50°C
Incline angle	Horizontal	0 ~ 42° left & right
	Vertical	0° ~ 13° down tilt
Colour	White	KYRA12/OW (RAL9003)
	Black	KYRA12/OB (RAL9005)
Dimensions (W x H x D)		70 x 1006 x 101 mm (excl bracket)
Weight		4.30 Kg
Packaging		Carton box
Shipping weight & Volume		5.8 Kg – 0.032 Cbm
Accessories included		AWC07 connection cable (0.7 meter) 2-Way revolving metal bracket Cable guiding accessories
Optional accessories		AWCxx cables (various lengths)

