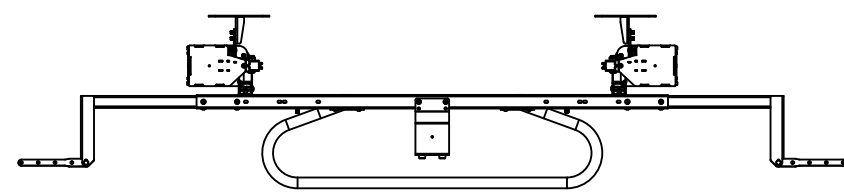


1 2 3 4 5 6 7 8

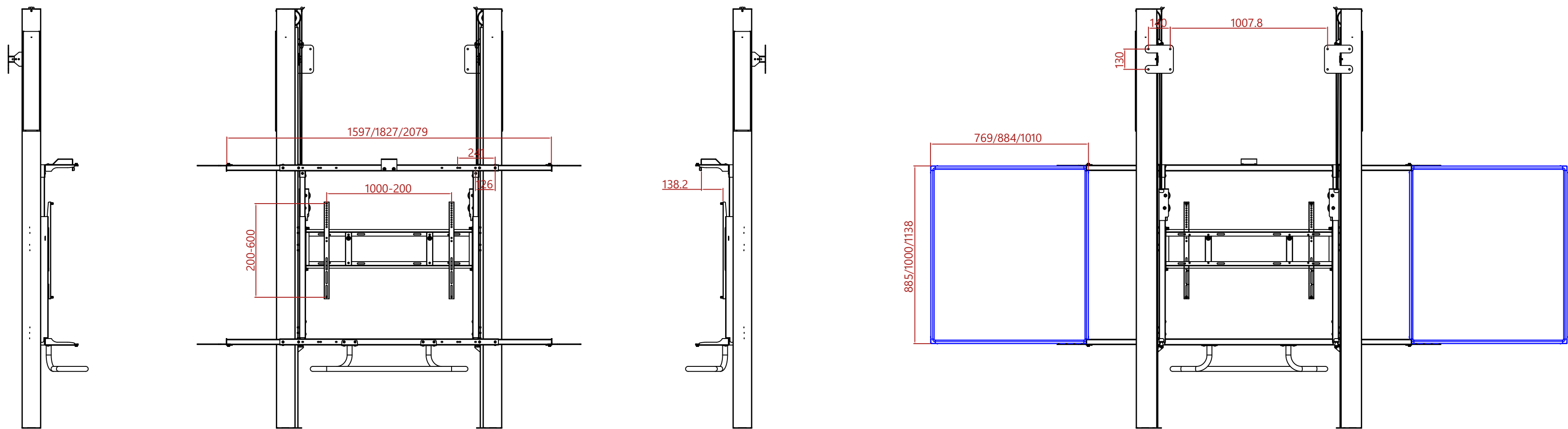
A

A



B

B

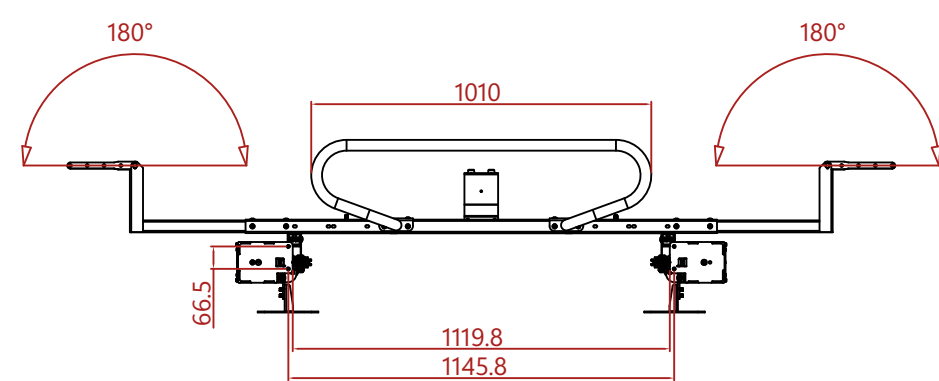


C

C

D

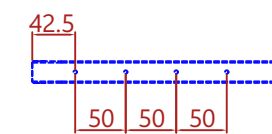
D



E

E

The installation holes of the whiteboard



F

F

TOLERANCES (Unless Otherwise Stated)	
DECIMALS	TOLERANCES
≤63	±0.10
63 < x ≤ 100	±0.15
100 < x ≤ 400	±0.20
400 < x ≤ 1000	±0.25
>1000	±0.3
Angle	±0.3°

(This tolerance standard applies only to CNC-machined parts.)

THIRD ANGLE PROJECTION

AVTEK, VIDIS S.A.			
MODEL NO.	AVTEK PYLONLIFT	NOTES	
PART NO.	1MV152	SCALE	1:1
PART NAME	Overall Unit – 6 Views	SIZE	N/A
UNIT	mm	SHEET	1/1
MATERIAL.	\	CHK'D	
SURFACE	\	APP'D	

1 2 3 4 5 6 7 8