

Extra-Large Projector Ceiling Mount with Micro-Adjustment

For more information please visit www.btechavmounts.com/BT899-XL

BT899-XL



BT899-XL

Extra Large Projector Ceiling Mount with Micro-Adjustment

Designed for LCD/LED/DLP Projectors
up to 25kg (55lbs)

- Can be mounted directly to the ceiling or to a System2 ø50mm pole (available separately)
- Features +/-13° tilt, +/-6° roll and 360° swivel
- Unique 'Carousel' mounting plate for universal compatibility
- Micro-adjustment feature for precision alignment
- Mounts projector only 125mm (5") from ceiling (when not used with poles)
- Maximum distance between any two fixing points on projector: 493mm (19.4")
- Ceiling fixings and all mounting hardware included
- Available in Black



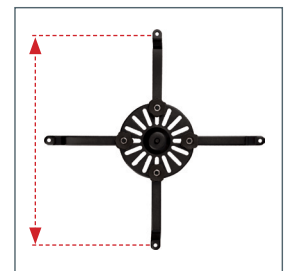
'Carousel' mounting plate for universal compatibility



Mounts projector only 125mm from ceiling or use ø50mm pole for longer drop



Micro-adjustment for easy and precise positioning of projector



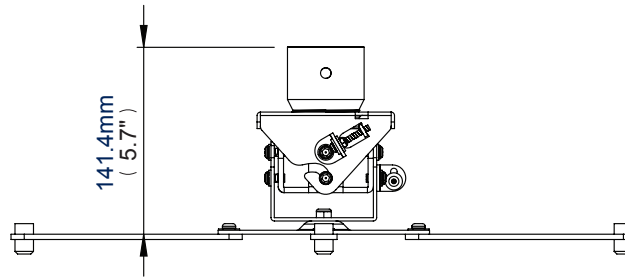
Maximum distance between any two fixing points: 493mm (19.4")



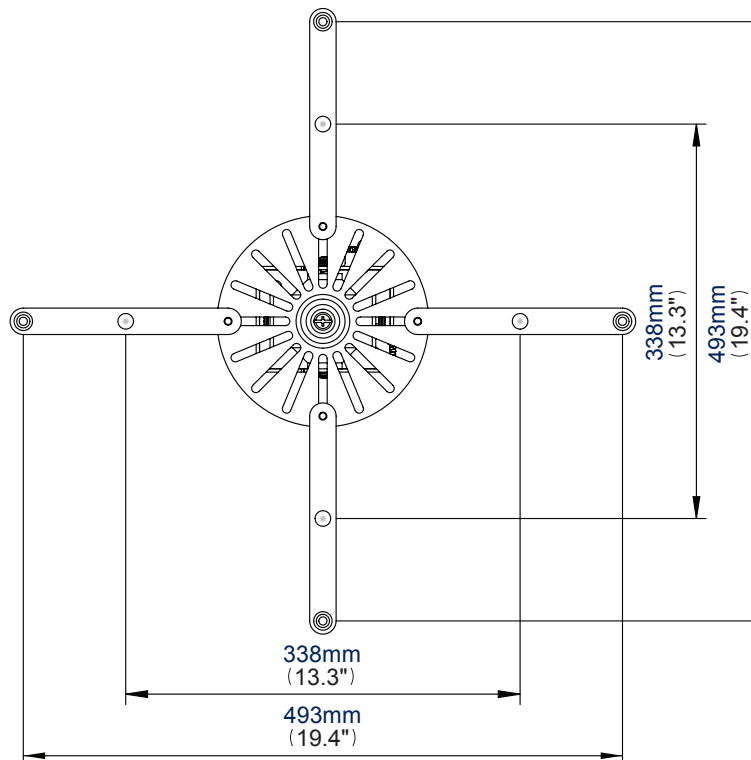
Extra-Large Projector Ceiling Mount with Micro-Adjustment

For more information please visit www.btechavmounts.com/BT899-XL

BT899-XL



Side View



Maximum distance between fixings

Colour:	Order Ref:	EAN Code:
Black	BT899XL/B	501931808965

**This information is intended as a guide only and reflects the current specification at the time of print.
B-Tech accepts no liability for the accuracy of the information contained in this document.**