



B-TECH AV MOUNTS

IDEAL FOR XXL SCREENS

BT8590

XXL FLAT SCREEN TROLLEY

As part of B-Tech's Designer Trolley range, the BT8590 is a high-end mobile mounting solution ideal for extra large screens such as the LG 110" UM5J Signage Display. Available in a choice of black, silver and white, the BT8590 has a modern, contemporary look with integrated cable management that keeps the finished installation looking neat and tidy. Non-marking 4" braked castors allow the trolley to be re-located easily and safely without marking or scuffing floor surfaces and safety screws help prevent the easy removal of the screen. AV components such as shelves can be accessorised to the trolley by fitting directly to the column or rail.



SPECIFICATION

Screen size	72" up to 120"
Max load	130kg
VESA® & non-VESA fixings	up to 1600 x 800mm
Dimensions	H:1905* W:1755 D:767mm
Colour options	Black, Black & Silver or White

*Measurement from floor to top of vertical columns (including end cap)

FEATURES

- Designed for extra-large screens
- Non-marking locking / braked castors included
- Collar compatible accessories such as shelves (available separately) can be fitted directly to the columns
- Interface arms include levelling screws to adjust the height of the screen
- Integrated cable management for a smart installation
- Safety screws help prevent unauthorised removal of screen
- Dual colour options available for a modern, contemporary look
- Simple 'hook-on' screen installation with all mounting hardware included



Dual colour options available for a modern contemporary look



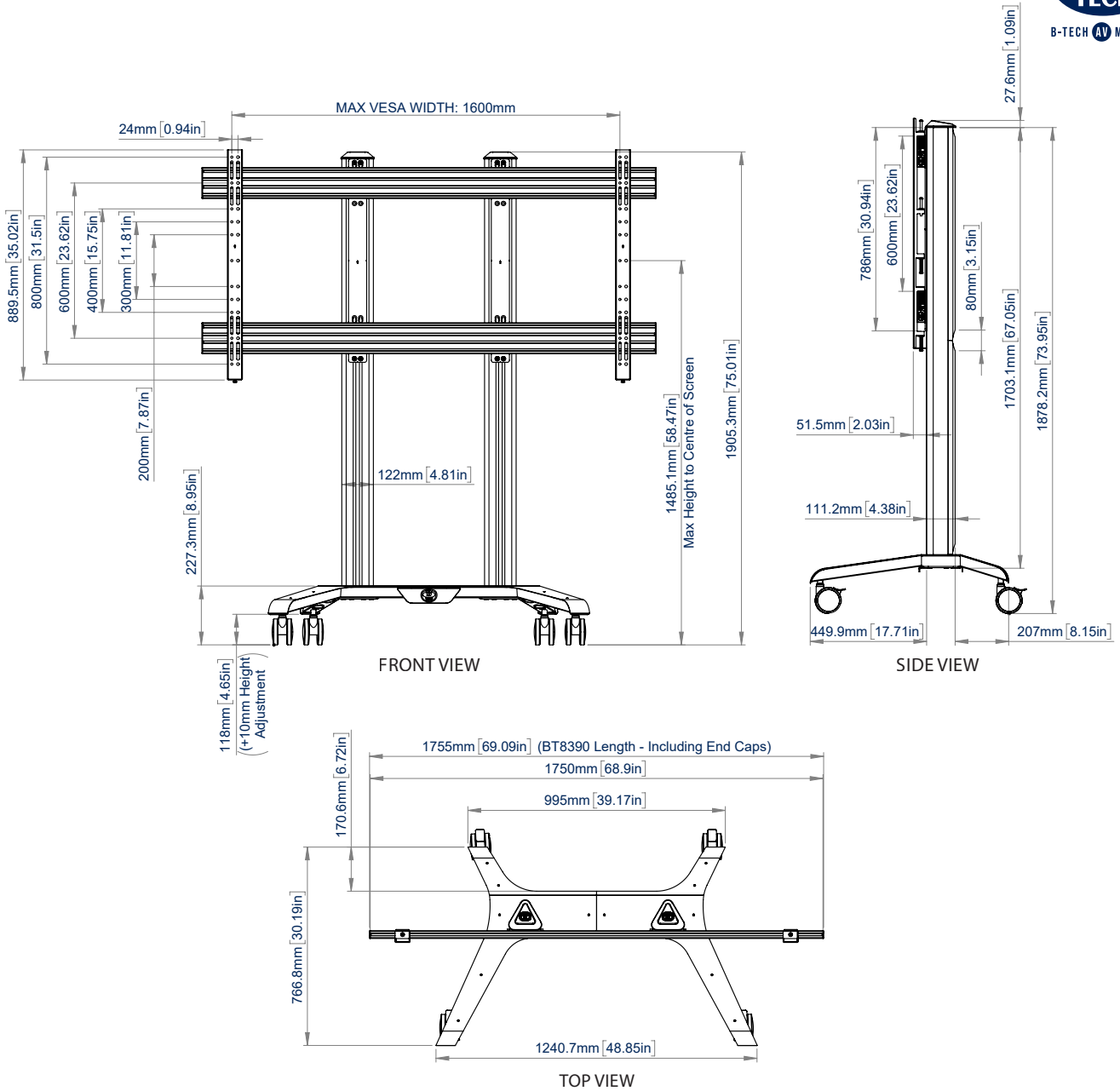
Non-marking locking / braked castors included



Interface arms include levelling screws to adjust the height of the screen



AV accessory shelves can be fitted directly to the columns



ORDER INFORMATION

PLEASE NOTE, THIS IS A MULTI-BOX ITEM

COLOUR:	ORDER REF:	EAN CODE:
Black	BT8590/B	5019318307126
Black & Silver	BT8590/BS	5019318307133
White	BT8590/W	5019318307140

ACCESSORIES AND RELATED PRODUCTS



AV Accessory Shelves can be fitted directly to the vertical column



Video Conferencing Camera Shelf can be fitted directly to the vertical column



XXL Display Wall Mount ideal for extra-large digital signage displays



Adjustable Levelling Feet for freestanding installations

© 2022 B-Tech Av Mounts. All rights reserved. This information is provided as a guide only. B-Tech Av Mounts is not responsible for any damage caused by improper or unauthorized installation, use, or modification of any part of this product. For more information, please visit www.btechavmounts.com or contact us at sales@btechavmounts.com. SS-V1-BT8590-070922