



# BT8322

## PORTRAIT DIGITAL SIGNAGE WALL MOUNT

Designed for screens up to 65" in portrait orientation, the BT8322 is ideal for digital signage displays. The low-profile design mounts a screen just 36mm from the wall, can accommodate screens with VESA patterns up to 400 x 600 in portrait orientation, and can also mount screens in landscape orientation using 600 x 400 VESA patterns. BT8322 is supplied with adjustment screws that allow the screen to be levelled once mounted and safety screws feature to help prevent unauthorised screen removal.

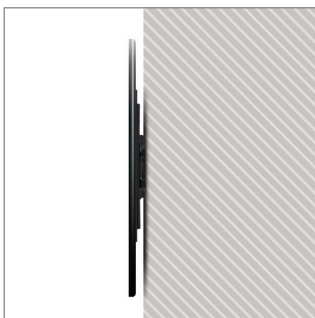
### SPECIFICATION

Recommended screen size	up to 65"
Max load	80kg
Fits universal patterns	up to 400 x 600mm
Distance from wall	36mm*
Colour	Black

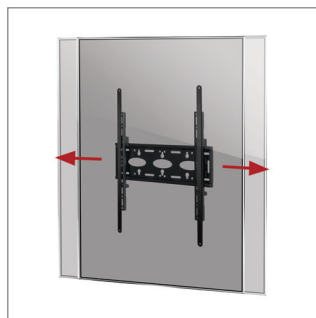
*\*Please note the total dimension includes the interface adaptor arms. If only using up to VESA 400 x 400 the depth can be reduced by 6mm by removing the adaptor arms.*

### FEATURES

- Designed for portrait mounting, but can also be used for landscape installations if required
- Arms feature levelling screws to adjust the screen height
- Safety screws help prevent unauthorised removal of screens
- Pole mounted version for ceiling, and floor mounting is available on request
- VESA adaptors for screens with larger vertical fixings are also available
- Simple installation with all mounting hardware included



Low profile design mounts screen just 36mm from the wall.\*



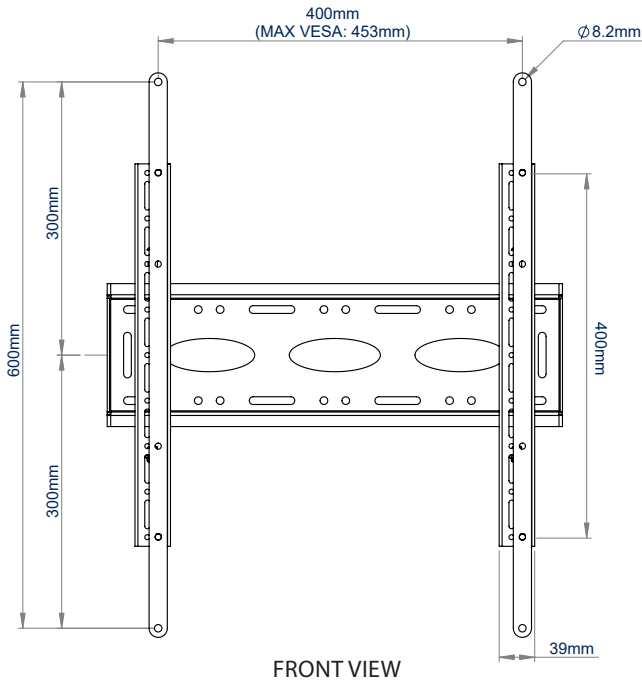
Easy lateral adjustment of the screen once mounted.



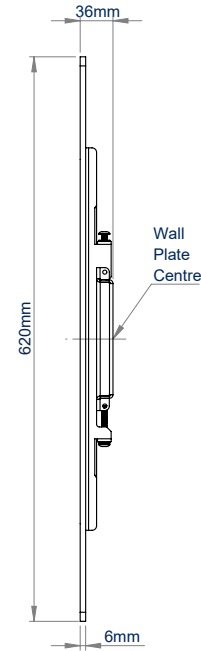
Levelling screws allow simple adjustment of screen height.



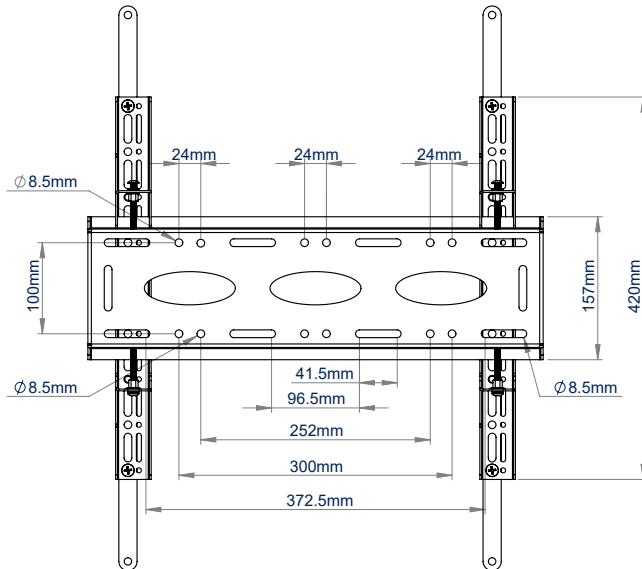
Security locking screws help prevent unauthorised removal of screens.



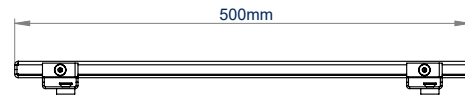
FRONT VIEW



SIDE VIEW



REAR VIEW



TOP VIEW

PACKING INFORMATION

THIS IS A MULTI-BOX ITEM

COLOUR:	ORDER REF:	EAN CODE:	MASTER CARTON QTY:	INNER CARTON QTY:	MASTER CARTON WEIGHT:	MASTER CARTON CUBE:
Black	BT8322/B	5019318306839	1 / 1	0	3kg / 1.1kg	0.0034cbm / 0.000cbm

ACCESSORIES AND RELATED PRODUCTS



**BT7565**  
800mm Adaptor Arms for screens with VESA 800 x 400 fixings.



**BT8573**  
Flat Screen Floor Stand Mounts displays with fixings up to 600 x 400 in Portrait or Landscape.



**BT7822**  
Heavy Duty Floor / Ceiling Mount for Ø50mm poles.



**BT7052**  
Ø50mm Accessory Collar designed to attach a variety of different mounts and accessories onto B-Tech poles

© 2019 B-Tech Professional Design & Manufacturing Ltd. All rights reserved.  
The information in this specification is for reference only. It is not intended to be used as a substitute for the manufacturer's instructions. B-Tech Professional Design & Manufacturing Ltd. is not responsible for any damage or loss of data caused by the use of this product. B-Tech Professional Design & Manufacturing Ltd. is not responsible for any damage or loss of data caused by the use of this product. B-Tech Professional Design & Manufacturing Ltd. is not responsible for any damage or loss of data caused by the use of this product.