



**DOUBLE  
 ARM FOR  
 EXTENDED  
 REACH**

# BTV504

## FLAT SCREEN WALL MOUNT WITH DOUBLE ARM



Designed to wall mount small to medium sized screens, this double arm wall mount features a tilting interface and three swivel points, allowing quick and easy repositioning of screens as required - whether folded flat against the wall at a depth of 79mm or at maximum extension. Cable management is included to help make a neat and tidy mounting solution which is ideal for home installations as well as commercial applications.

### SPECIFICATION

Recommended screen size	up to 47"
Max load	25kg
VESA® compatibility	up to 200 x 200
Screen rotation	360°
Tilt	+/-15°
Swivel	180°
Extension	79 - 385mm
Colour	Black

### FEATURES

- Double arm for extended reach - ideal for corner mounting
- Folds flat to the wall
- Interface features tilt, swivel and screen rotation
- Integrated cable management
- Integrated spirit level for easy wall plate levelling during installation
- Simple 'hook-on' installation
- All mounting hardware included



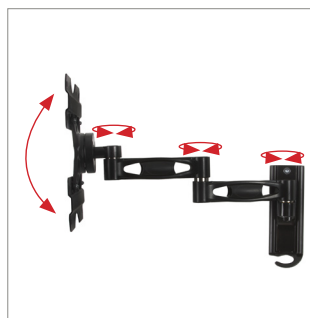
VESA 200 | 47" 120CM | 25KG | 15°/15° | 180° | 360°



Folds flat to the wall with a distance of only 79mm



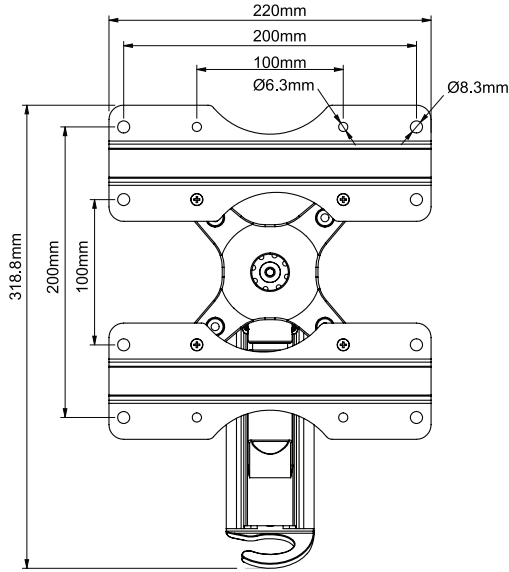
Integrated cable management and spirit level included



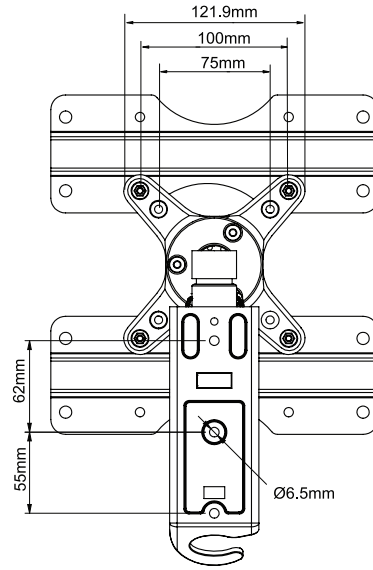
Features up/down tilt plus 3 pivot points



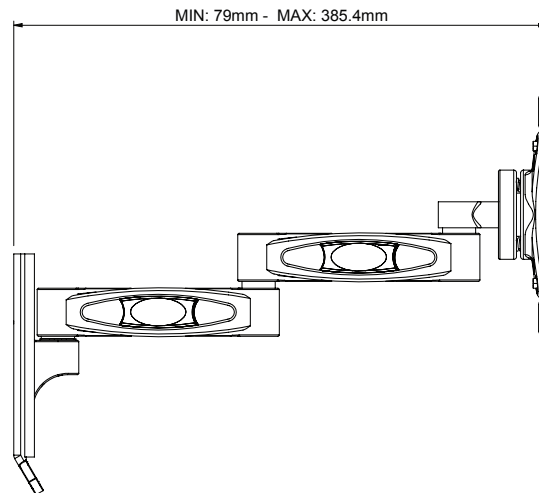
Interface allows screen rotation of 360°



FRONT VIEW EXTENSION



REAR VIEW



SIDE VIEW WITH ARM EXTENDED

**PACKING INFORMATION**

COLOUR:	ORDER REF:	EAN CODE:	MASTER CARTON QTY:	INNER CARTON QTY:	MASTER CARTON WEIGHT:	MASTER CARTON CUBE:
Black	BTV504/B	5019318440625	4	0	9.88kg	0.029cbm

**ACCESSORIES AND SIMILAR PRODUCTS**

**BTV502**



Flat Screen Wall Mount with Tilt & Swivel designed for screens up to 47"

**BTV503**



Single Arm Wall Mount with Tilt & Swivel designed for screens up to 47"

**BTV920**



AV Component Shelf designed for holding all common AV equipment

**BTV914**



Universal Soundbar Mount fits directly to BTV504 to mount a Soundbar under your screen

© 2016 B-Tech International Pty. Ltd. All rights reserved.  
 The information in this specification is subject to change without notice. This is a technical drawing and is not intended to be used as a substitute for a physical specification without prior notice. B-Tech International Pty. Ltd. is not responsible for any damage or loss of data caused by improper use, installation or modification of any part of this specification. B-Tech International Pty. Ltd. is not responsible for any damage or loss of data caused by improper use, installation or modification of any part of this specification. B-Tech International Pty. Ltd. is not responsible for any damage or loss of data caused by improper use, installation or modification of any part of this specification. B-Tech International Pty. Ltd. is not responsible for any damage or loss of data caused by improper use, installation or modification of any part of this specification.

SS-BTV504-V1.2-070618