



BT8503

LARGE FLAT SCREEN TROLLEY / STAND INSTALLATION GUIDE & PARTS LIST

This Pack Contains 1 Trolley / Stand

PLEASE KEEP THIS FOR FUTURE REFERENCE



FEATURES

- Heavy duty stylish flat screen trolley designed for screens up to 60" (152cm) / 50kg
- Maximum distance between fixings: H 800mm
- Fits all VESA® fixings up to 800 x 600mm (horizontal screen orientation, 800 x 400mm in portrait style)
- Mounts screen in landscape or portrait style
- Includes universal flat screen interface kit
- 1.8m Ø50mm poles supplied with 5 cable management holes
- Non marking 3" locking / braked castors included
- Also supplied with optional screw in levelling feet
- Trolley dimensions (including wheels): Height: 1945mm Depth: 785mm Width: 1118mm
- Includes BT7057 pole end ring
- Keyhole 'hook-on' feature for easy installation



CONTENTS

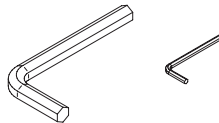
Installation Safety Notes.....	2
Parts List.....	4
Safety Instructions.....	6
Product Assembly.....	7
Optional Accessories.....	13
Product Dimensions.....	14
B-Tech Contact Details.....	16

INSTALLATION TOOLS REQUIRED

Crosshead / Flathead
Screwdriver



Hex Keys
(Supplied)



B-TECH AUDIO VIDEO MOUNTS

www.btechavmounts.com

INSTALLATION SAFETY INSTRUCTIONS



CAUTION: This stand is intended for use only with the maximum weights indicated. Use with flat screen heavier than the maximum indicated may result in instability causing possible injury.

Do not attempt to install this product until all instructions and warnings have been read and properly understood. Please keep these instructions for future reference.

B-Tech International Limited, its distributors and dealers are not liable or responsible for damage or injury caused by improper installation, improper use or failure to observe these safety instructions. In such cases, all guarantees will expire.

General

Great care must always be taken during installation as most AV equipment is of a fragile nature, possibly heavy and easily damaged if dropped.

If you do not fully understand the instructions or are not sure how to install this product safely, then please consult a professional for advice and/or to install this product for you. Failure to mount this product correctly may cause serious injury or death both during installation and at any time thereafter. Do not mount any AV equipment that exceeds the specific weight limit of the product you are installing. This weight limit will be clearly stated on each product and its packaging and will vary from product to product.

Product location

Please pay careful attention to where this product is located. Some locations are not suitable for installation.

If located in a public or frequently populated area ensure that the product is out of the immediate reach of people.

Fixing hardware

It is highly recommended that all fixing screws be used where supplied and that the purpose of all other fixing hardware is fully understood. In some cases more AV equipment fixing hardware will be supplied to accommodate different models of equipment and set up configurations.

The installer must be satisfied that any supplied fixing hardware is suitable for each specific installation. If any fixing screws or included hardware are deemed not sufficient for a safe installation then please consult a professional or your local hardware store.

Hazard limitation

When routing cables take advantage of any built in cable management features that the product might provide and ensure that all cables are tidy and secure. Check to see that any moving aspect of the product can do so unhindered by any cabling.

Some products have moving parts and the potential to cause injury through the crushing or trapping of fingers or other body parts.

Particular attention to the nature of moving parts is required especially when assembling installing and adjusting during set up.

Immediately after installations double-check that the work done is safe and secure. Double-check all necessary fixings are present and are of ample tightness.

It is recommended that periodic inspections of the product and its fixing points are made as frequently as possible to ensure that safety is maintained. If in doubt consult a professional AV installer or other suitably qualified person.

The articulating arm may spring upward and may cause injury or damage to the equipment when the monitor is removed. Secure the arm by lifting the arm to highest position, to remove monitor safely.

CS

Společnost B-Tech International Ltd. doporučuje provést instalaci tohoto produktu prostřednictvím odborného instalátora AV či jinak způsobilé osoby. Společnost B-Tech International Ltd, její distributoři a prodejci nenesou odpovědnost za škody nebo zranění způsobená nevhodnou instalací. Tento výrobek je nutno umístit do vhodné konstrukce a používat jen po uvedené maximální výšce.

DE

B-Tech International Ltd. empfiehlt, dass dieses Produkt durch einen qualifizierten AV-Techniker oder eine andere Person mit geeigneter Qualifikation installiert wird. B-Tech International Ltd, ihre Distributoren und Händler können nicht für durch fehlerhafte Montage verursachte Beschädigung oder Verletzung haftbar bzw. verantwortlich gemacht werden. Dieses Produkt muss auf eine geeigneten Untergrund montiert werden und darf nur bis zum angegebenen Höchstgewicht verwendet werden.

ES

B-Tech International Ltd. recomienda que un instalador de audio y video profesional u otra persona debidamente cualificada instalen este producto. B-Tech International Ltd, sus distribuidores y concesionarios no se hacen cargo ni se responsabilizan de ningún daño o lesión provocados por una instalación inapropiada. Este producto se debe montar en una estructura adecuada y se debe utilizar soportando solamente hasta el peso máximo indicado.

FR

B-Tech International Ltd. recommande de confier l'installation de ce produit à un installateur AV professionnel ou à une autre personne dûment qualifiée. B-Tech International Ltd, ses distributeurs et ses revendeurs ne sauraient être tenus responsables de tout dégât ou de toute blessure résultant d'une installation incorrecte. Ce produit doit être monté sur un support approprié et utilisé dans la limite du poids maximum indiqué.

IT

B-Tech International Ltd. consiglia di affidare l'installazione di questo prodotto a un installatore specializzato o ad altra persona adeguatamente qualificata. B-Tech International Ltd, i suoi distributori e rivenditori non accettano alcuna responsabilità nei riguardi di eventuali danni o infortuni causati da un'errata installazione. Questo prodotto deve essere fissato a una struttura idonea e utilizzato unicamente sino al peso massimo indicato.

NL

B-Tech International Ltd. adviseert om dit product te laten installeren door een professionele AV-instalateur of andere hiervoor gekwalificeerde persoon. B-Tech International Ltd, haar distributeurs en dealers zijn niet aansprakelijk of verantwoordelijk voor schade of letsel die is veroorzaakt door onoordeelkundige installatie. Dit product moet worden gemonteerd aan een geschikte constructie, waarbij het aangegeven maximum gewicht niet mag worden overschreden.

PL

Firma B-Tech International Ltd. zaleca, aby ten produkt był instalowany przez profesjonalnych instalatorów AV lub inny odpowiednio przeszkolony personel. Firma B-Tech International Ltd, jej dystrybutorzy i dealerzy nie ponoszą odpowiedzialności za uszkodzenia lub obrażenia ciała powstałe w wyniku nieprawidłowej instalacji. Niniejszy produkt musi być zamontowany na odpowiedniej powierzchni, a podczas użytkowania nie wolno przekraczać podanego maksymalnego obciążenia.

PT

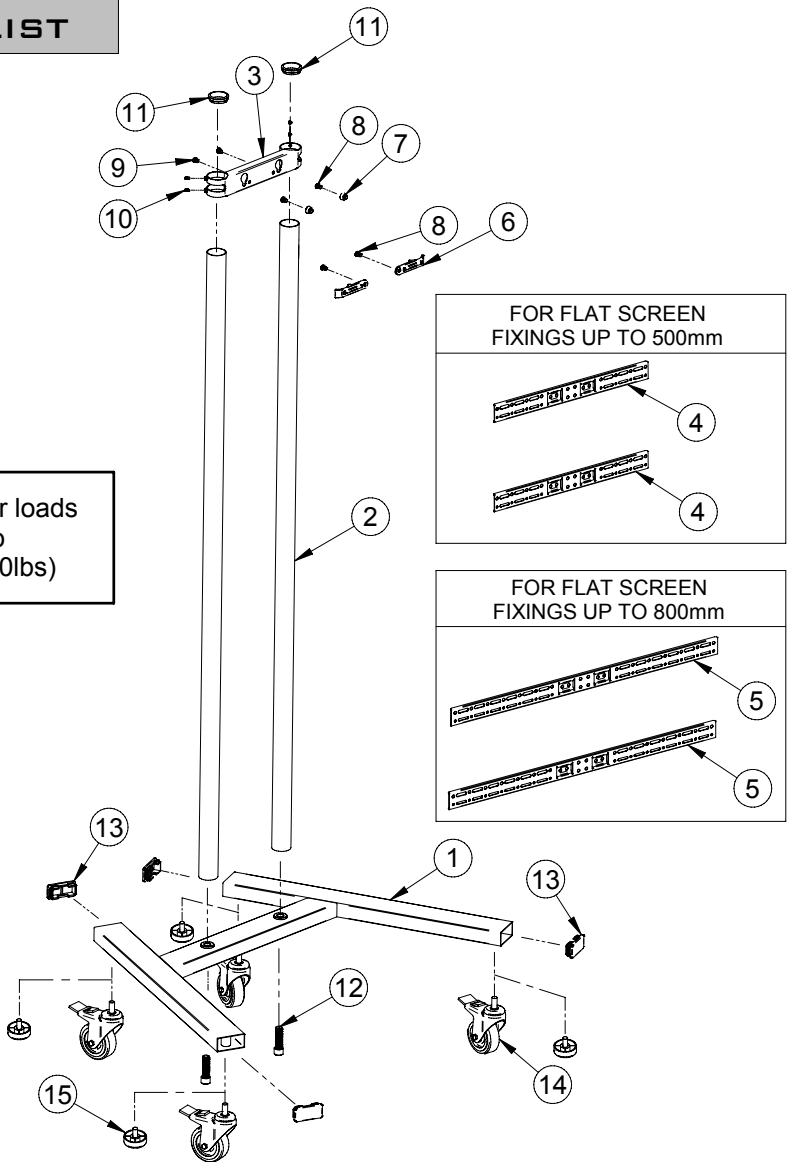
A B-Tech International Ltd. recomenda que a instalação deste produto seja efectuada por um instalador de AV profissional ou outra pessoa devidamente habilitada. A B-Tech International Ltd. e os seus distribuidores e concessionários não são responsáveis por danos ou lesões causados por uma instalação incorrecta. Este produto tem de ser montado numa estrutura adequada e utilizado somente até ao peso máximo indicado.

RU

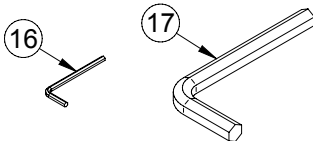
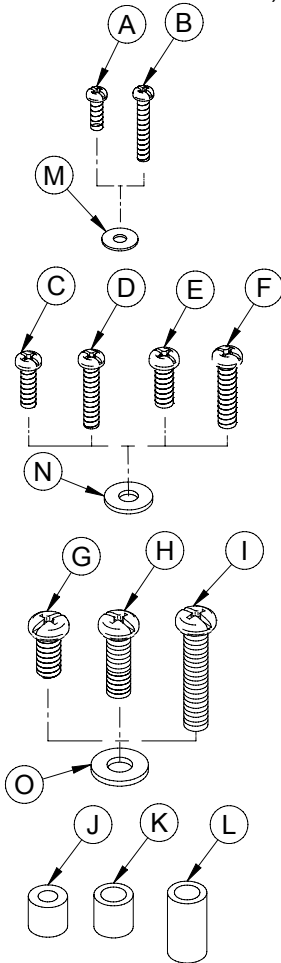
Компания B-Tech International Ltd. рекомендует, чтобы установка данного изделия производилась инженером по установке аудио-видеотехники или другим специалистом с соответствующей квалификацией. Компания B-Tech International Ltd., ее дистрибьюторы и дилеры не несут ответственности за повреждения или травмы, полученные в результате неправильной установки. Данное изделие должно

BT8503 PARTS LIST

Suitable for loads
up to
50kg (110lbs)



FLAT SCREEN INTERFACE KIT
(FOR ATTACHING MOUNT TO
BACK OF FLAT SCREEN)



REF	PART NAME	QTY
1	BASE	1
2	50mm (2") POLE	2
3	HOOK-ON SUPPORT	1
4	SMALL INTERFACE ARM	2
5	LARGE INTERFACE ARM	2
6	POLE SUPPORT	2
7	KEYHOLE FIXING KNOB	2
8	M8 X 12mm SCREW (FOR PARTS 6 & 7)	4
9	M8 X 10mm SCREW (FOR PARTS 3 & 5)	6
10	M6 x 10mm HEX GRUB SCREW	4
11	50mm (2") POLE END RING	2
12	M16 X 60mm HEX SCREW	2
13	BASE END CAP	4
14	CASTOR WHEEL	4
15	BASE FOOT	4
16	3mm HEX KEY (FOR PART 10)	1
17	14mm HEX KEY (FOR PART 12)	1

INTERFACE KIT

A	M4 x 12mm SCREW	4
B	M4 x 25mm SCREW	4
C	M5 x 16mm SCREW	4
D	M5 x 25mm SCREW	4
E	M6 x 16mm SCREW	4
F	M6 x 25mm SCREW	4
G	M8 x 16mm SCREW	4
H	M8 x 25mm SCREW	4
I	M8 x 40mm SCREW	4
J	M6 SPACER (FOR PARTS B, D & F)	4
K	M8 SPACER (FOR PART H)	4
L	M8 SPACER (FOR PART I)	4
M	M4 WASHER (FOR PARTS A & B)	4
N	M6 WASHER (FOR PARTS C, D, E & F)	4
O	M8 WASHER (FOR PARTS G, H & I)	8

PLEASE KEEP THIS FOR FUTURE REFERENCE

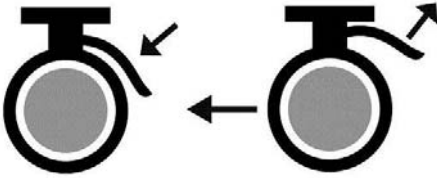


WARNING

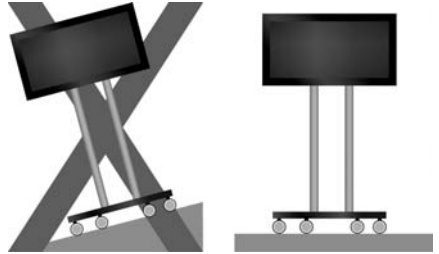


**CAN TIP OVER WHICH MAY LEAD TO
SERIOUS INJURY.
DO NOT ALLOW CHILDREN UNDER 16
TO MOVE TROLLEY.
MOVE TROLLEY SLOWLY**

**ALWAYS APPLY BRAKES WHEN
TROLLEY IS STATIONARY
RELEASE BRAKES WHEN PUSHING
TROLLEY.**



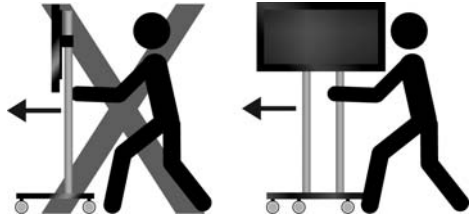
**NEVER LEAVE TROLLEY ON
AN INCLINE.
ALWAYS PARK ON LEVEL GROUND**



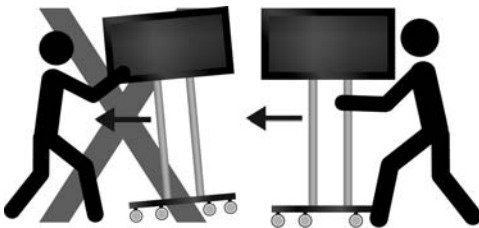
**ONLY ADULTS SHOULD PUSH
THIS TROLLEY**



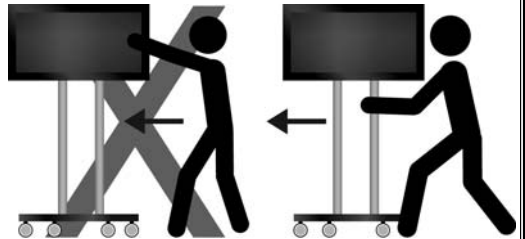
**PUSH TROLLEY ON
NARROW SIDE**



**NEVER PULL TROLLEY.
ALWAYS PUSH**



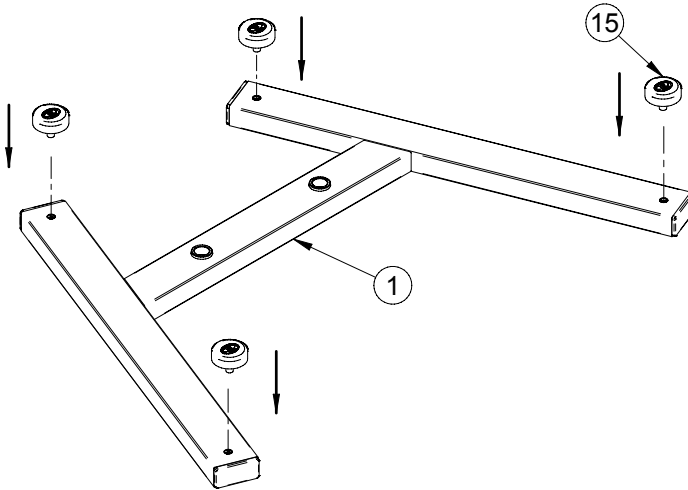
**DO NOT PUSH AT TOP OF TROLLEY.
ALWAYS PUSH NEAR MIDDLE**



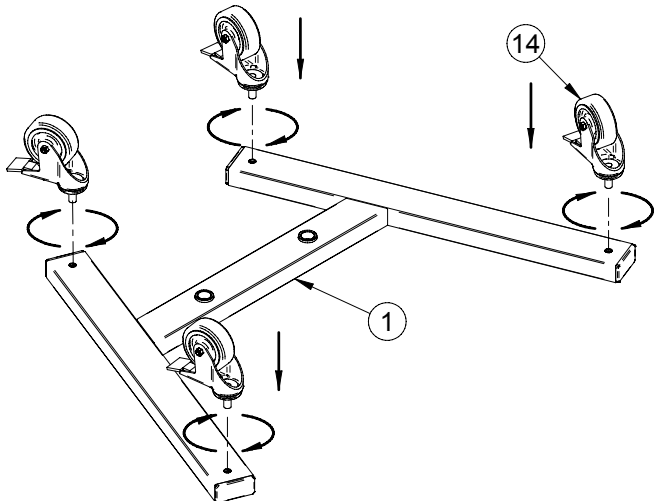
PRODUCT ASSEMBLY

- 1** For mobile application select the braked wheels. For fixed installation select the levelling feet.

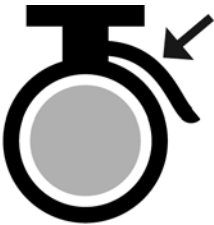
i. Fix the levelling feet to the trolley.



ii. Screw the wheels (14) to the trolley.

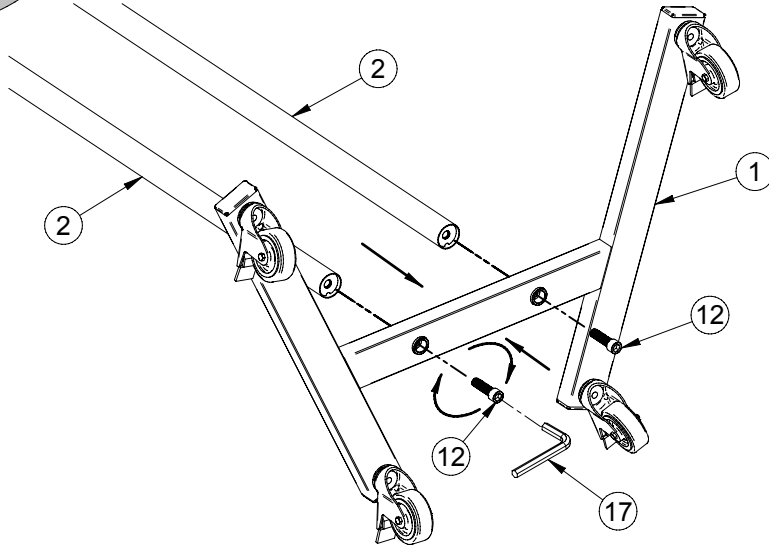


LOCK WHEELS
PRIOR TO
INSTALLATION



2

Attach the poles to the trolley base.

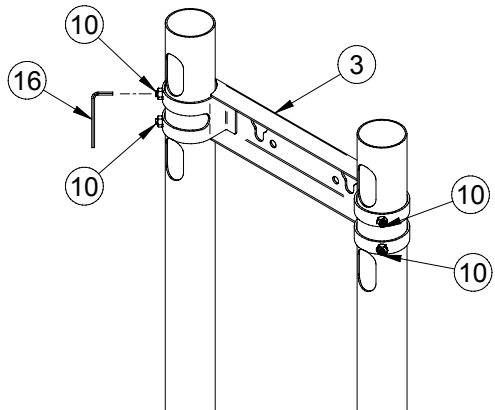
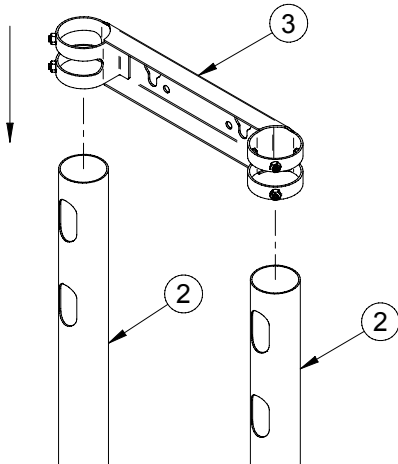


3

Fix the hook-on support to the poles.

i. Slide the hook-on support onto the poles.

ii. Fix at desired height by tightening parts 10.

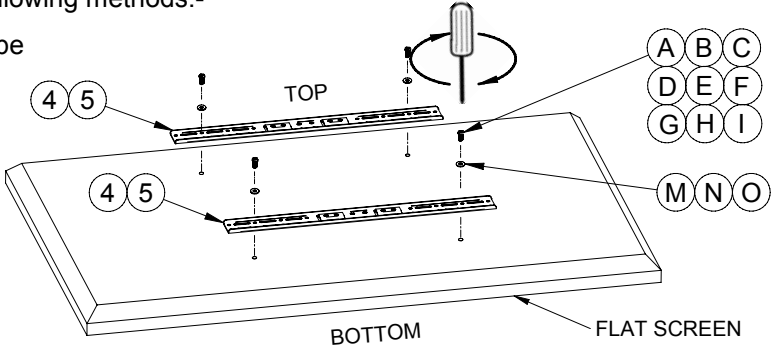


SCREEN MOUNTING INSTRUCTIONS

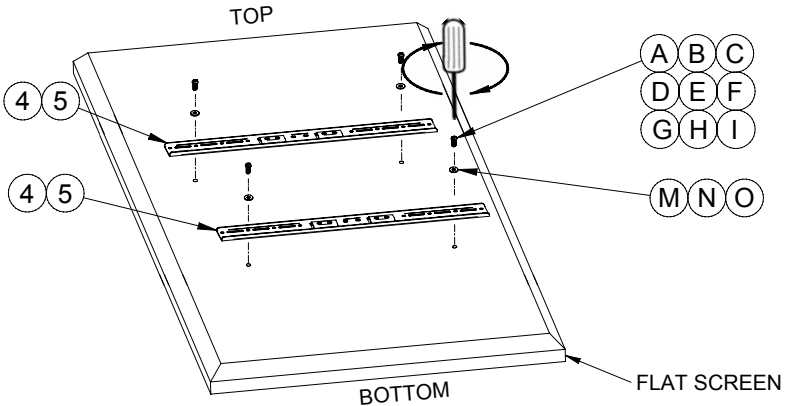
4

Attach the interface arms to the back of the screen using one of the following methods:-

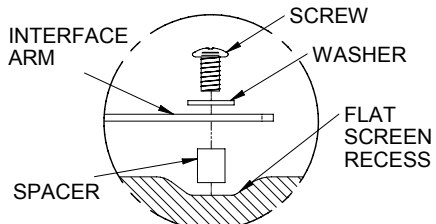
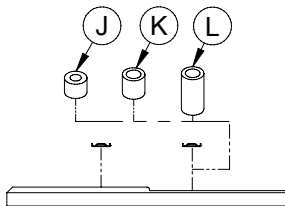
i. Landscape



ii) Portrait



Use spacers on recess in flat screen & for extra space for cables.

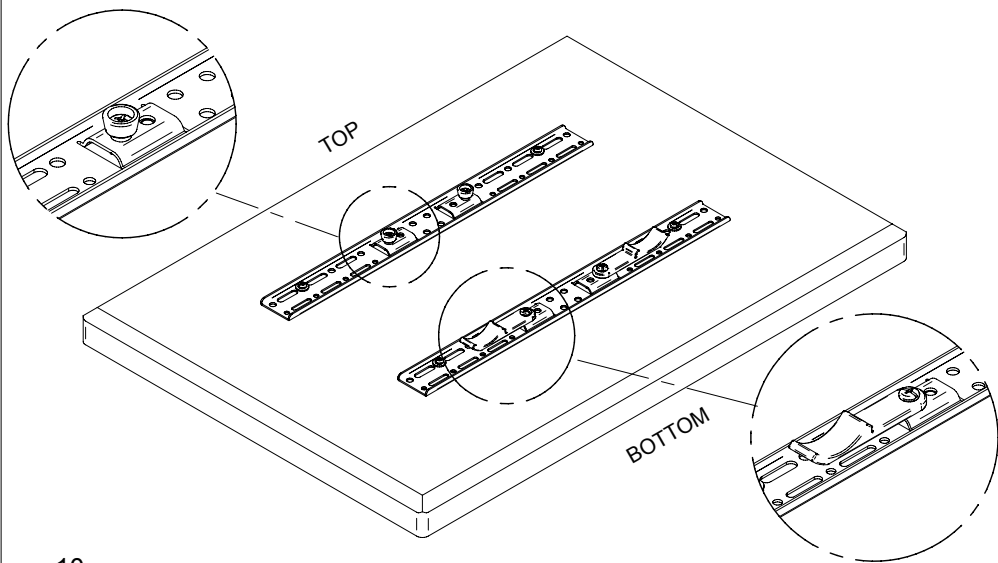
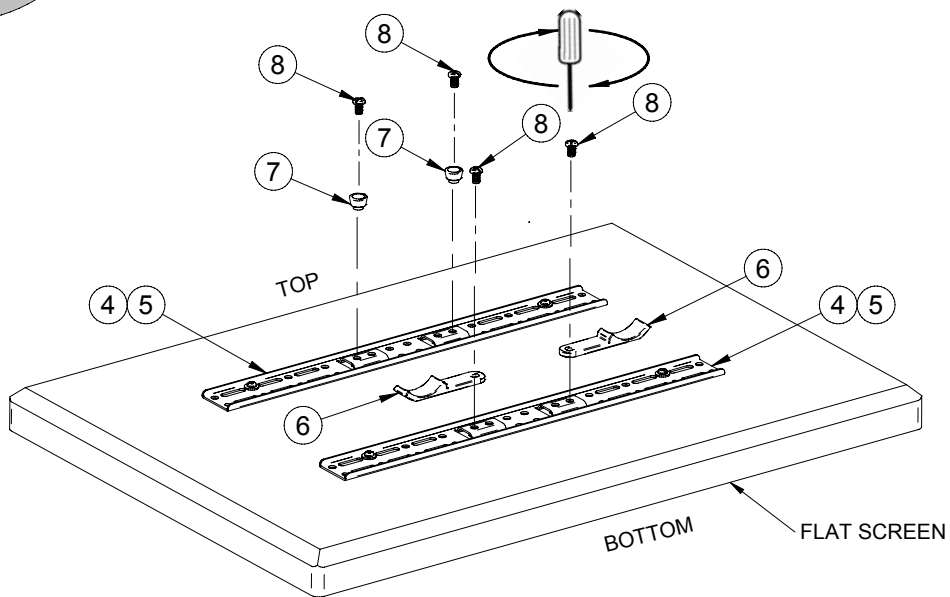


Please refer to screen manufacturer manual for guidance on screen mounting.



5

Attach the keyhole fixing knobs and pole supports to the interface arms.

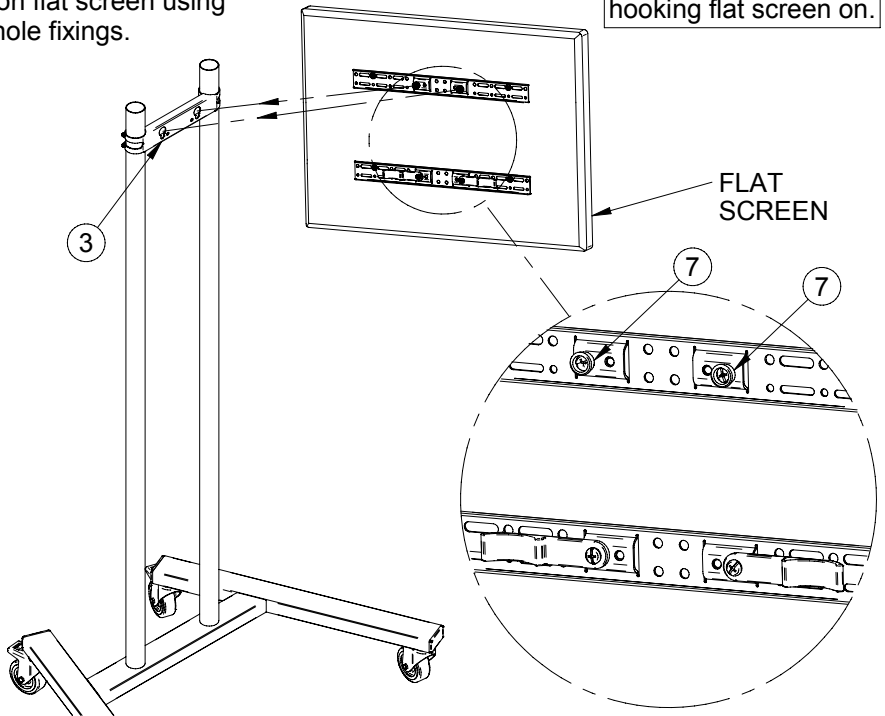


6

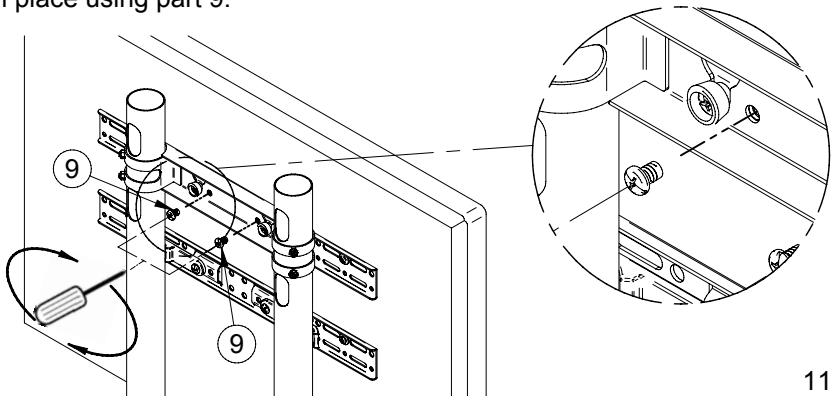
Attach flat screen to the trolley.

⚠ WARNING: ⚠
Lock wheels before
hooking flat screen on.

i. Hook on flat screen using
the keyhole fixings.

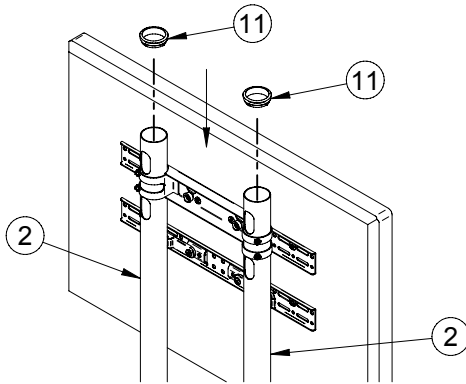


ii. Secure in place using part 9.



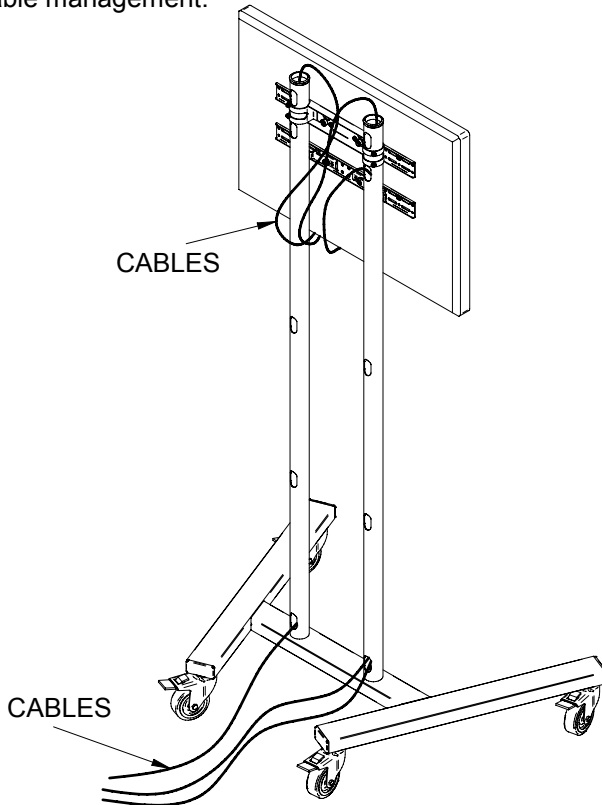
7

Attach the pole end rings (part 11) to the poles.



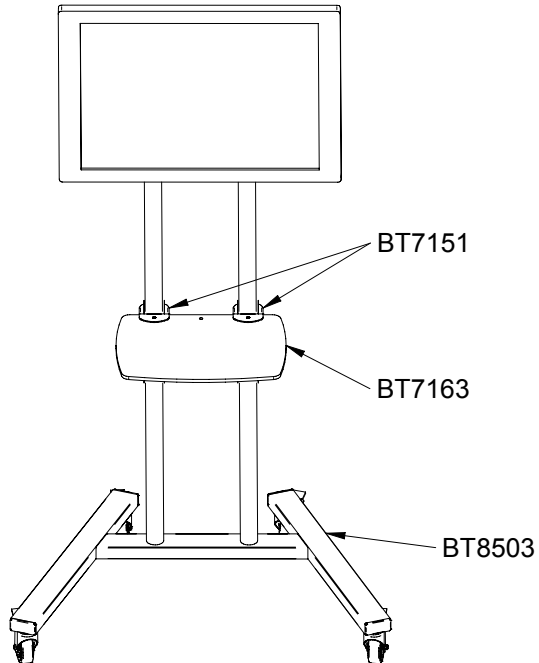
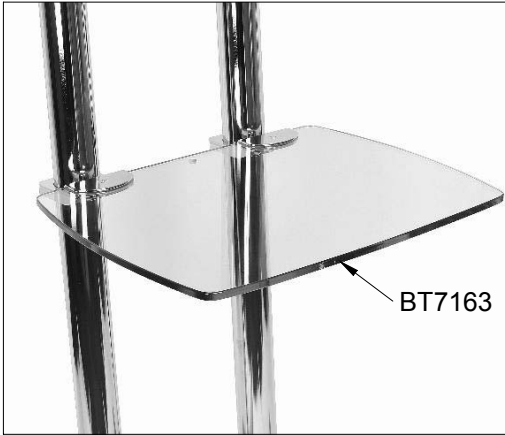
8

Cable management.

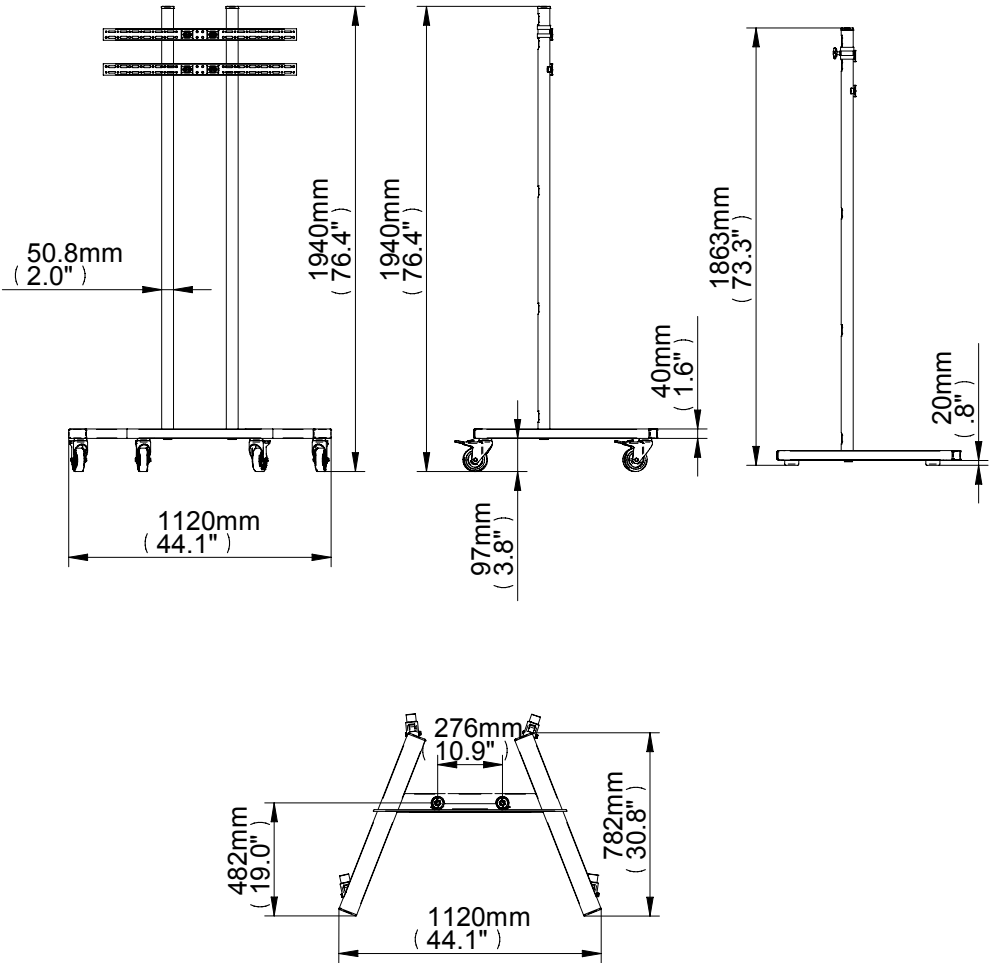


12

OPTIONAL ACCESSORIES

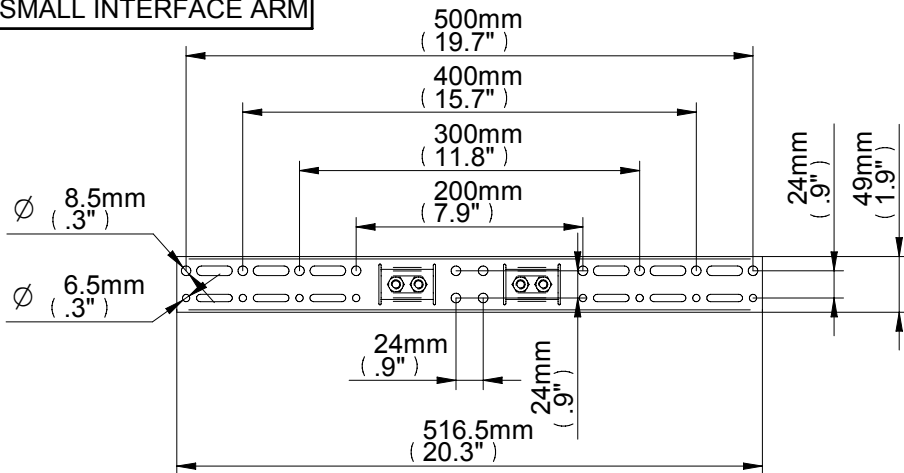


BT8503 PRODUCT DIMENSIONS

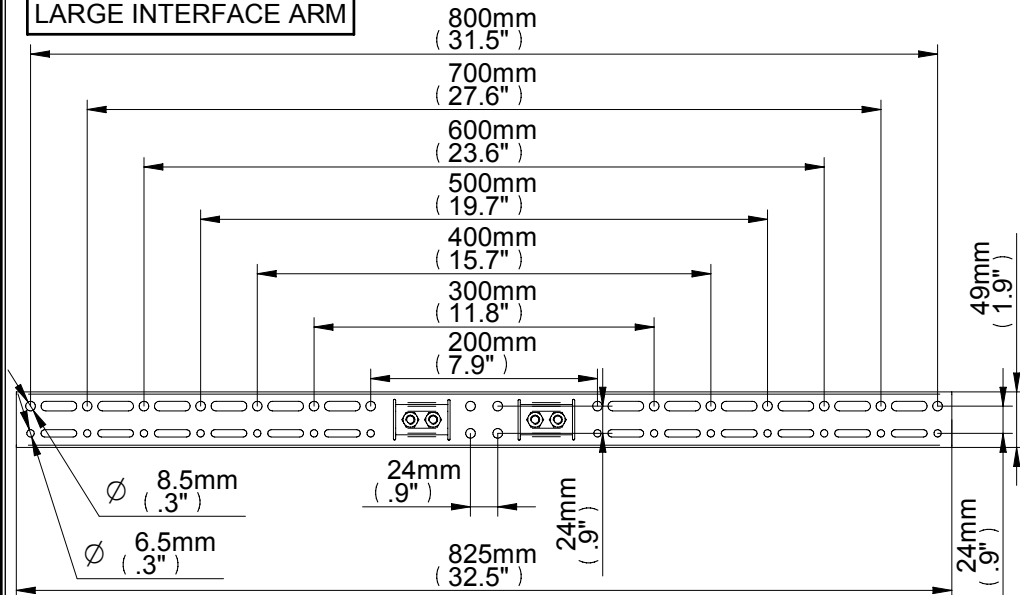


BT8503 PRODUCT DIMENSIONS

SMALL INTERFACE ARM



LARGE INTERFACE ARM





www.btechavmounts.com

B-TECH AUDIO VIDEO MOUNTS

HEAD OFFICE

B-Tech International Limited

Bennett House, Long March, Daventry, Northants., NN11 4NR, UK

Email: info@btechavmounts.com

©2016 B-Tech International Limited. All rights reserved.

B-Tech Audio Video Mounts is a division of B-Tech International Limited.

B-Tech & Better By Design are registered trademarks of B-Tech International Limited.

All other brands and product names are trademarks of their respective owners.

Photographs are for illustrative purposes only. E&OE.