

Flat Screen Wall Mount with Tilt

For more information please visit www.btechavmounts.com/BT7511

BT7511

Registered Design Number: 001713280-0004



BT7511

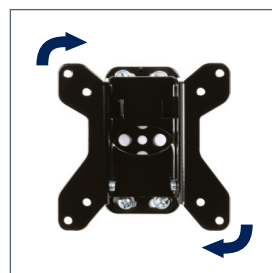
Flat Screen Wall Mount with Tilt

Designed for small flat screens
up to 23" (58cm) / 20kg (44lbs)

- Fits screens with VESA mounting patterns: 75 x 75mm and 100 x 100mm
- Easy tilt adjustment +17°/-10°
- Mounts screen only 55mm (2.1") from the wall
- Features 'OWLS' On Wall Levelling System
- Security locking screws and Allen key provided for secure installation
- Simple 'hook-on' installation with all mounting hardware included
- Available in Black and Silver



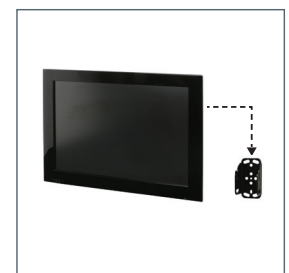
Easy adjustment of tilt



'OWLS' On Wall Levelling System



Security locking screws provided



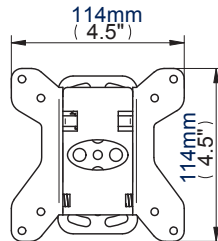
Simple 'hook-on' installation

Flat Screen Wall Mount with Tilt

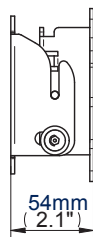
For more information please visit www.btechavmounts.com/BT7511

BT7511

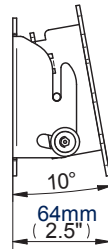
Registered Design Number: 001713280-0004



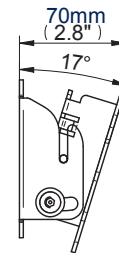
Front View



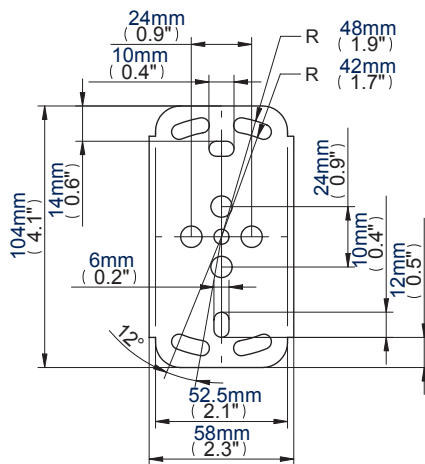
Side View 0° Tilt



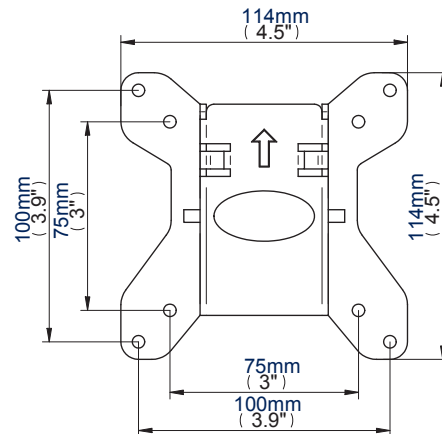
Side View -10° Tilt



Side View +17° Tilt



Wall Plate



Interface

Colour:	Order Ref:	EAN Code:	Master Carton Qty:	Inner Carton Qty:	Master Carton Weight:	Master Carton Cube:
Black	BT7511/B	5019318751127	16	4	12.97kg (28.59lbs)	0.059cbm (2.1cuft)
Silver	BT7511/S	5019318751103	16	4	12.97kg (28.59lbs)	0.059cbm (2.1cuft)

This information is intended as a guide only and reflects the current specification at the time of print. B-Tech accepts no liability for the accuracy of the information contained in this document.