

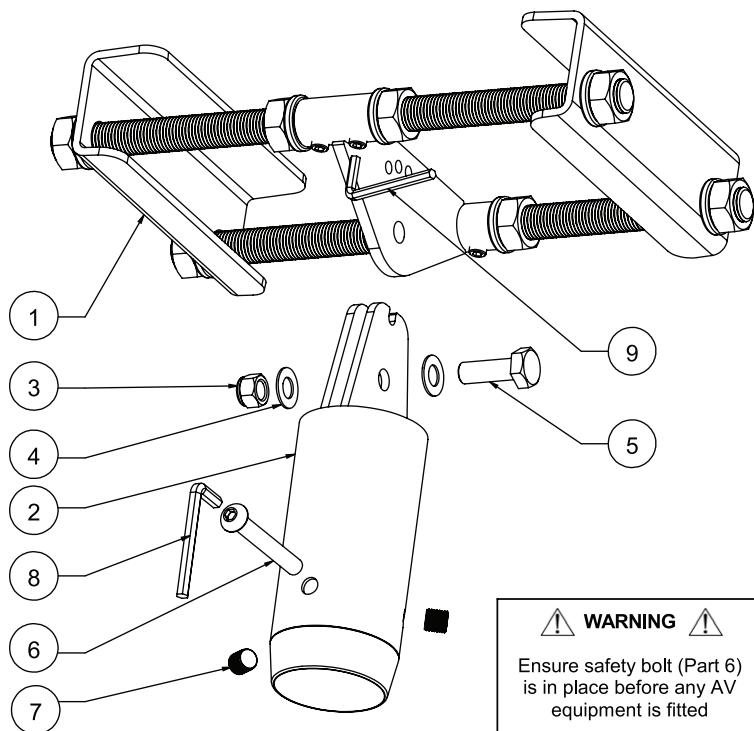


# BT7017

## I-BEAM (GIRDER) MOUNT FOR Ø50MM POLES PARTS LIST

This pack contains 1 I-Beam (Girder) Mount

PLEASE KEEP THIS FOR FUTURE REFERENCE



**WARNING**  
Ensure safety bolt (Part 6) is in place before any AV equipment is fitted

### FEATURES

- Adjustable I-Beam (girder) mount for use with Ø50mm (2") poles
- Suitable for loads up to 140kg
- Cable management
- Supplied with safety bolt for secure installation
- Locking bolt included to securely set the pole at 3 fixed tilt positions up to 36°
- Fits I-Beams and thick steel from 80mm - 250mm in width

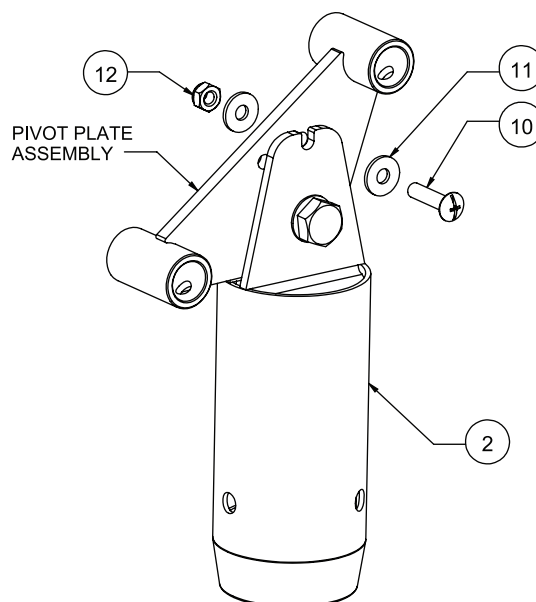
POLE SOLD SEPARATELY



### PARTS LIST

N°	PART NAME	QTY
1	I-BEAM U-CLAMP	1
2	CLAMP TUBE ASSEMBLY	1
3	M10 NYLOC NUT	1
4	M10 WASHER	2
5	M10 x 30mm HEX BOLT	1
6	M8 x 60mm SAFETY BOLT	1
7	M10 x 10mm GRUB SCREW	2
8	5mm ALLEN KEY	1
9	4mm ALLEN KEY	1
10	M6 x 25mm COMBI CROSS SCREW	1
11	M6 WASHER	2
12	M6 NYLOC NUT	1

### SETTING THE POLE ANGLE WITH THE PRE-DRILLED HOLES



### B-TECH AUDIO VIDEO MOUNTS

#### HEAD OFFICE

#### B-Tech International Limited

Bennett House, Long March, Daventry, Northants., NN11 4NR, UK

Email: [info@btechavmounts.com](mailto:info@btechavmounts.com)

©2014 B-Tech International Limited. All rights reserved. B-Tech Audio Video Mounts is a division of B-Tech International Limited. B-Tech, Better By Design and Mountlogic are registered trademarks of B-Tech International Limited. All other brands and product names are trademarks of their respective owners. Photographs are for illustrative purposes only. E&OE. B-Tech International Ltd, it's distributors and dealers are not responsible for damage or injury caused by improper installation, improper use, modifications, installations over the specified weight capacity and/or failure to observe these safety instructions. In such cases, any warranty will expire. It is recommended that this product should only be installed by a qualified professional / installer. B-Tech does not claim any liability for any difficulties that may arise from the interpretation of information contained in these instructions. Failure to mount this product correctly may lead to serious injury and/or death. Please check carefully to make sure there are no missing or defective parts - defective parts must never be used. In the event of missing and/or defective parts, or technical questions, please contact an authorised dealer.

[www.btechavmounts.com](http://www.btechavmounts.com)

AMA-BT7017-V1-PROBX-0814-44 MADE IN P.R.C.