



B-TECH AV MOUNTS™

**FITS FLAT  
& ANGLED  
CEILINGS**

# BT7808

## CEILING / WALL MOUNT WITH TILT FOR Ø50MM POLES

Designed to ceiling mount Ø50mm poles, the BT7808 features an adjustable tilt mechanism with a tilt range of up to 90°. This makes it ideal for mounting flat screens and projectors to flat or angled ceilings and also allows wall mounted installations in both portrait or landscape configurations.

### SPECIFICATION

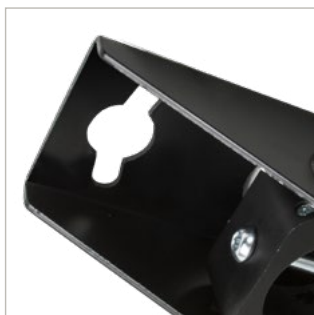
Max Load	140kg
Tilt	+90°
Colour	Black

### FEATURES

- Designed to mount a Ø50mm pole to a flat or angled ceiling
- Allows poles to be mounted on to walls in horizontal or vertical configurations
- Keyhole fixing for hassle free 'hook-on' installation



Up to +90° tilt of pole for angled ceilings or walls



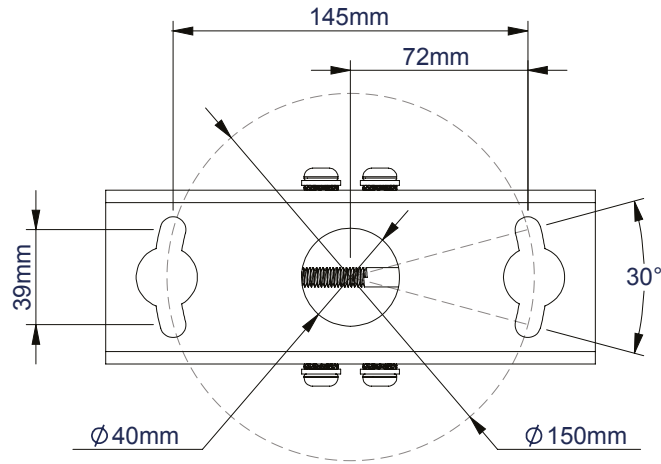
Keyhole fixing for hassle free 'hook-on' installation



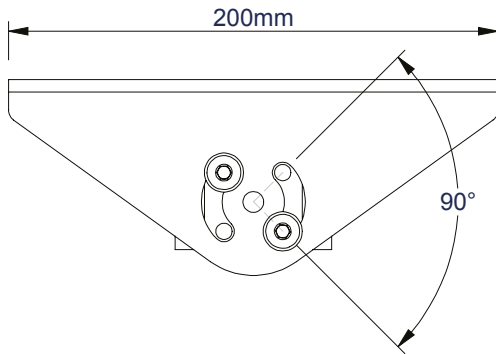
Pole mount screens from flat or angled ceilings



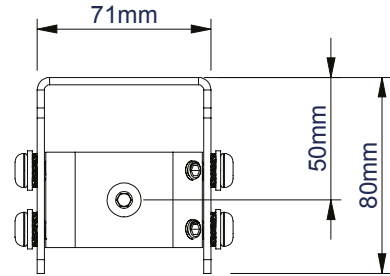
Also ideal for mounting projectors to the ceiling



TOP VIEW



SIDE VIEW



FRONT VIEW

**PACKING INFORMATION**

COLOUR:	ORDER REF:	EAN CODE:	MASTER CARTON QTY:	INNER CARTON QTY:	MASTER CARTON WEIGHT:	MASTER CARTON CUBE:
Black	BT7808/B	5019318759697	1	0	0.98kg	0.002cbm

**ACCESSORIES AND RELATED PRODUCTS FOR USE WITH BT7808**



**BT7850**  
50mm diameter poles available in different lengths up to 3m



**BT7841**  
50mm Accessory Collar for fixing mounts & accessories to Ø50mm poles



**BT8431**  
Flat Screen Wall Mount with Tilt fits to Ø50mm poles using 2x BT7841 collars



**BT899**  
Heavy Duty Projector Mount fits directly to Ø50mm poles

© 2016 B-Tech Professional Limited. All rights reserved.  
The information in this specification is current technical specifications at the time of print.  
We reserve the right to change the technical or physical specifications without prior notice. This B-Tech name and logo technology are registered trademarks of B-Tech International Ltd.  
B-Tech accepts no liability for loss or damage caused by improper or negligent installation or use of the product. Any reproduction or transmission or replication of any part of this specification is strictly prohibited unless prior written permission has been granted by B-Tech International Ltd. (BTL)

SS-BT7808-V2-090819