

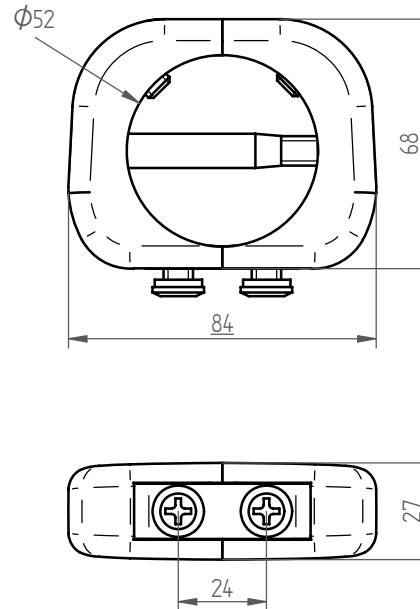


# BT7052

## 50MM (2 INCH) ACCESSORY COLLAR WITH COVERS

This pack contains:  
1 collar with covers

SYSTEM2™



- Accessory collar for use with 50mm (2") poles
- Provides attachment for B-Tech modulus system mounts
- Aesthetic cover plates included to hide fasteners



**Caution:** This wall collar is intended for use only with the maximum weights indicated. Use with heavier than the maximum indicated may result in instability causing possible injury.

### Important Safety Instructions.

#### Read first

Do not attempt to install this product until all instructions and warnings have been read and properly understood. Please keep these instructions for future reference. B-Tech International Limited, its distributors and dealers are not liable or responsible for damage or injury caused by improper installation, improper use or failure to observe these safety instructions. In such cases, all guarantees will expire.

#### General

B-Tech International Ltd recommends that a professional AV installer or other suitably qualified person install this product. Great care must always be taken during installation as most AV equipment is of a fragile nature, possibly heavy and easily damaged if dropped. If you do not fully understand the instructions or are not sure how to install this product safely, then please consult a professional for advice and/or to install this product for you. Failure to mount this product correctly may cause serious injury or death both during installation and at any time thereafter. Do not mount any AV equipment that exceeds the specific weight limit of the product you are installing. This weight limit will be clearly stated on each product and its packaging and will vary from product to product.

#### Product location

Please pay careful attention to where this product is located. If located in a public or frequently populated area ensure that the product is out of the immediate reach of people. If any AV equipment is to be suspended over the likely path or location of people then great care should be taken to secure all parts of the installation from falling.

#### Fixing hardware

It is highly recommended that all fixing screws be used where supplied and that the purpose of all other fixing hardware is fully understood. The installer must be satisfied that any supplied fixing hardware is suitable for each specific installation. If any fixing screws or included hardware are deemed not sufficient for a safe installation then please consult a professional or your local hardware store.

#### Hazard limitation

Some products have moving parts and the potential to cause injury through the crushing or trapping of fingers or other body parts. Particular attention to the nature of moving parts is required especially when assembling installing and adjusting during set up. Immediately after installations double-check that the work done is safe and secure. Double-check all necessary fixings are present and are of ample tightness. It is recommended that periodic inspections of the product and its fixing points are made as frequently as possible to ensure that safety is maintained. If in doubt consult a professional AV installer or other suitably qualified person.

Head Office

**B-Tech International Ltd.**

Bennett House, Long March, Daventry, Northants NN11 4NR, UK  
Tel: +44 (0)1327 300 787 Fax: +44 (0)1327 706 562  
Email: info@btechavmounts.co.uk

Europe

**B-Tech PRO-AV bvba**

Brixtonlaan 32, Zaventem 1930, Brussels, Belgium  
Tel: +32 (0)2 720 92 71 Fax: +32 (0)2 725 42 15  
Email: info@btechproav.com

North America

**B-Tech Audio Video Mounts.**

10 Greg Street, #108, Sparks, NV 89431, USA  
Tel: (1)800 975 5812 Fax: (1)800 592 2876  
Email: info@btechavmounts.com

Asia Pacific

**B-Tech International (Hong Kong) Ltd.**

23rd Floor, Manulife Tower, North Point, HK  
Tel: (+852) 2556 7337 Fax: (+852) 2556 7321  
Email: info@btechavmounts.com.hk

[www.btechavmounts.com](http://www.btechavmounts.com)



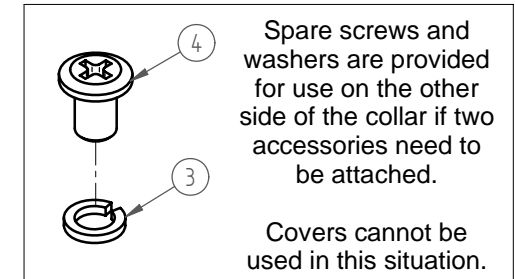
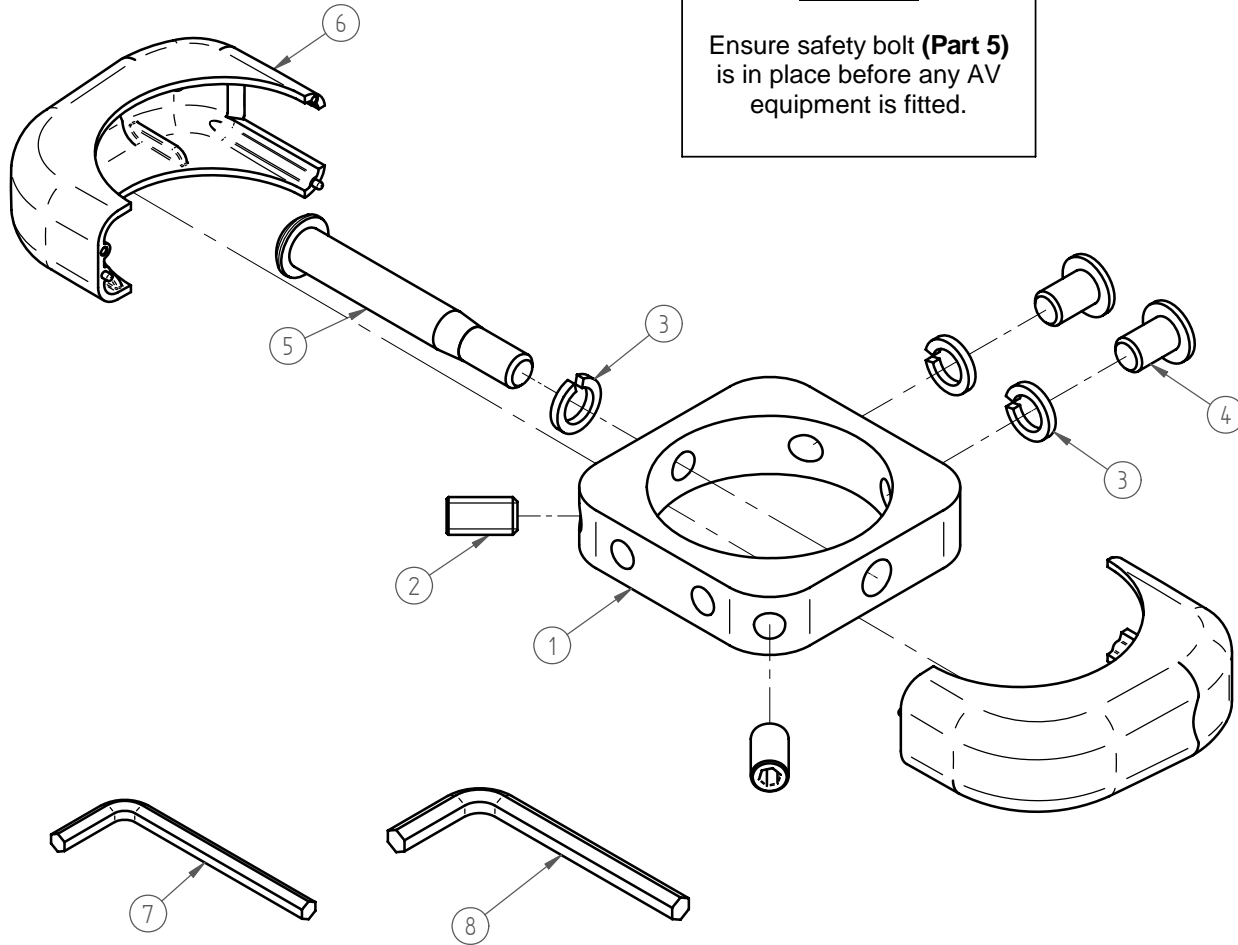
# BT7052 PARTS LIST

## PARTS LIST

No	PART NAME	DESCRIPTION	QTY
1	BT7052 COLLAR	TO FIT 50MM POLES	1
2	M8 X 15mm GRUB SCREWS	TO CLAMP COLLAR TO POLE	2
3	M8 SPRING WASHER	SITS UNDER SCREW HEADS	5
4	M8 X 12mm FLAT CROSS HEAD SCREW	TO ATTACH ACCESSORIES	4
5	M8 X 65mm SAFETY BOLT	PASSES THROUGH POLE	1
6	BT7052 COLLAR COVER HALF	PUSH FIT AROUND COLLAR	2
7	4mm ALLEN KEY	TO TIGHTEN (PART 2)	1
8	5mm ALLEN KEY	TO TIGHTEN (PART 5)	1

**Attention!**

Ensure safety bolt (Part 5) is in place before any AV equipment is fitted.



PLEASE KEEP THIS PARTS LIST FOR FUTURE REFERENCE



# BT7052 TYPICAL INSTALLATIONS

The BT7052 collar is designed to fit onto 50mm (2") poles.

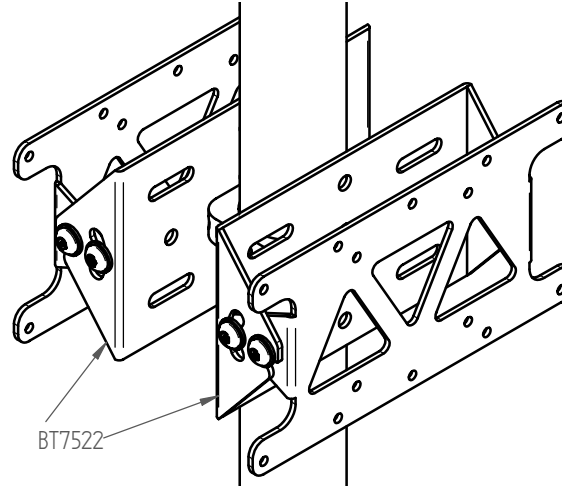
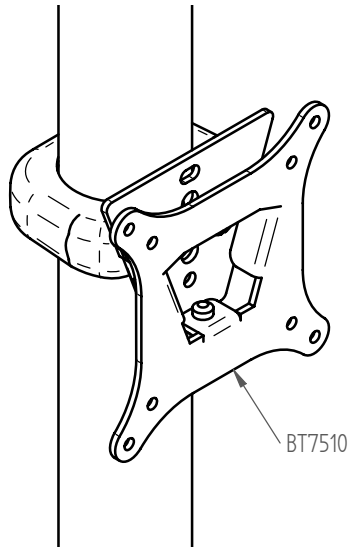
This collar provides attachment for B-Tech flat screen mounts, speaker mounts, shelves etc.

This page shows only some examples of the products that can be mounted on the BT7052 collar/s.

Any B-Tech product which shows the collar icon is compatible with B-Tech accessory collars.

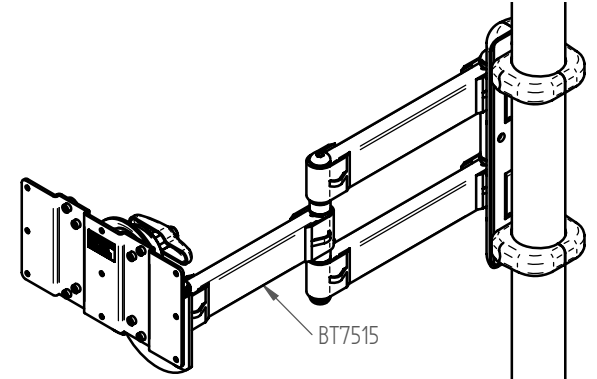


## 1. Flat Screen Mounts



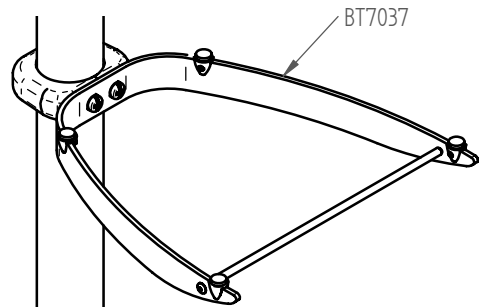
All collar compatible mounts can be mounted back to back. Collar covers cannot be used in this situation.

Some products require 2 BT7052 collars to mount to a pole:  
BT7514, BT7515, BT7529, BT7532, BT7533, BT7534, BT7535 and BT8007.

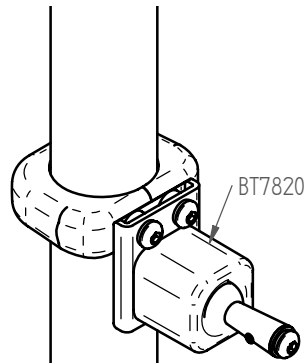


Articulating mounts with the collar icon can be attached to 2 BT7052 collars.

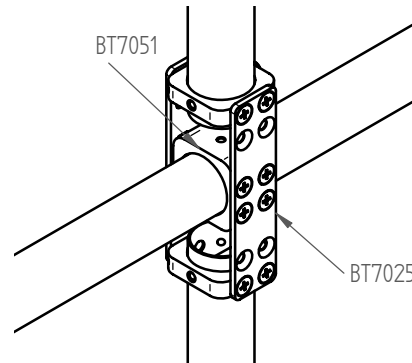
## 2. Accessories



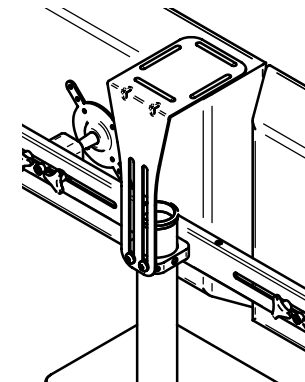
All B-Tech AV component accessory shelves can attach to the BT7052 collar: BT7030, BT7036, BT7037, BT7038, BT7040 and BT7503.



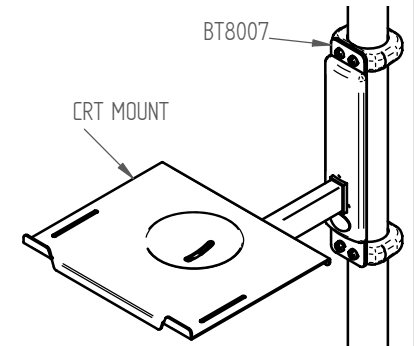
Compatible speaker mounts: BT7820 and BT7024.



The BT7052 can be used to mount poles horizontally across fixed vertical poles when used with the BT7025 and BT7051.



Used with the BT7320 to mount to a pole and fix the BT7340 webcam shelf.



Used with the BT8007 to mount the BT77 and B-Tech CRT mounts.