

Large AV Accessory Shelf

For more information please visit www.btechavmounts.com/BT7032

BT7032



BT7032

Large AV Accessory Shelf

Ideal for use with B-Tech Poles

- Can be mounted directly to a wall or to poles - when used in conjunction with B-Tech collars
- Ideal for use with the B-Tech range of flat screen trolleys and floor stands, ceiling mounts and floor-to-ceiling pole mounted solutions
- Compatible with BT7052 and BT7260 collars for use with ø50mm or ø60mm poles (sold separately)
- Can be mounted on a single or double pole (use 1 collar for single poles, 2 collars for double poles)
- Shelf dimensions: 500mm (19.7") x 380mm (15")
- Max weight: 7.5kg when used with a single pole
- Max weight: 15kg when used with double poles
- Ideal for use on a back-to-back floor stand setup where a shelf is required on each side
- Available in a durable Black powder coat finish - ideal for long term use in rental applications



When used with
Single Poles



When used with
Double Poles



When used with
Single Poles



When used with
Double Poles



Mount additional shelves as required



Can also be wall mounted
(Wall fixings not included)



Shelves can be back-to-back pole mounted with just 1 set of collars

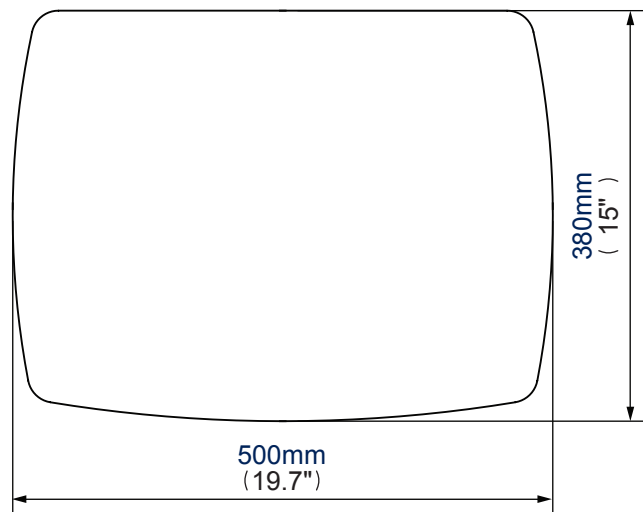


Can also be mounted to a single pole using 1 collar

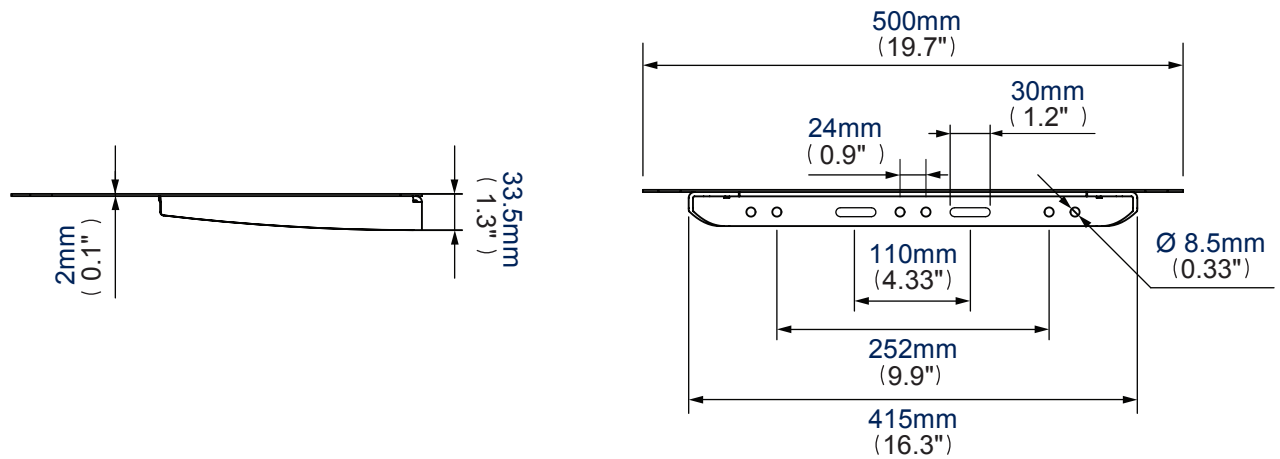
Large AV Accessory Shelf

For more information please visit www.btechavmounts.com/BT7032

BT7032



Top View



Side View

Rear View

Colour:	Order Ref:	EAN Code:	Master Carton Qty:	Inner Carton Qty:	Master Carton Weight:	Master Carton Cube:
Black	BT7032/B	5019318759413	4	0	18.65kg (41.03lbs)	1.90cuft (0.054cbm)

**This information is intended as a guide only and reflects the current specification at the time of print.
B-Tech accepts no liability for the accuracy of the information contained in this document.**