

# MSU44-18G

4x4 HDMI 2.0 18G Matrix



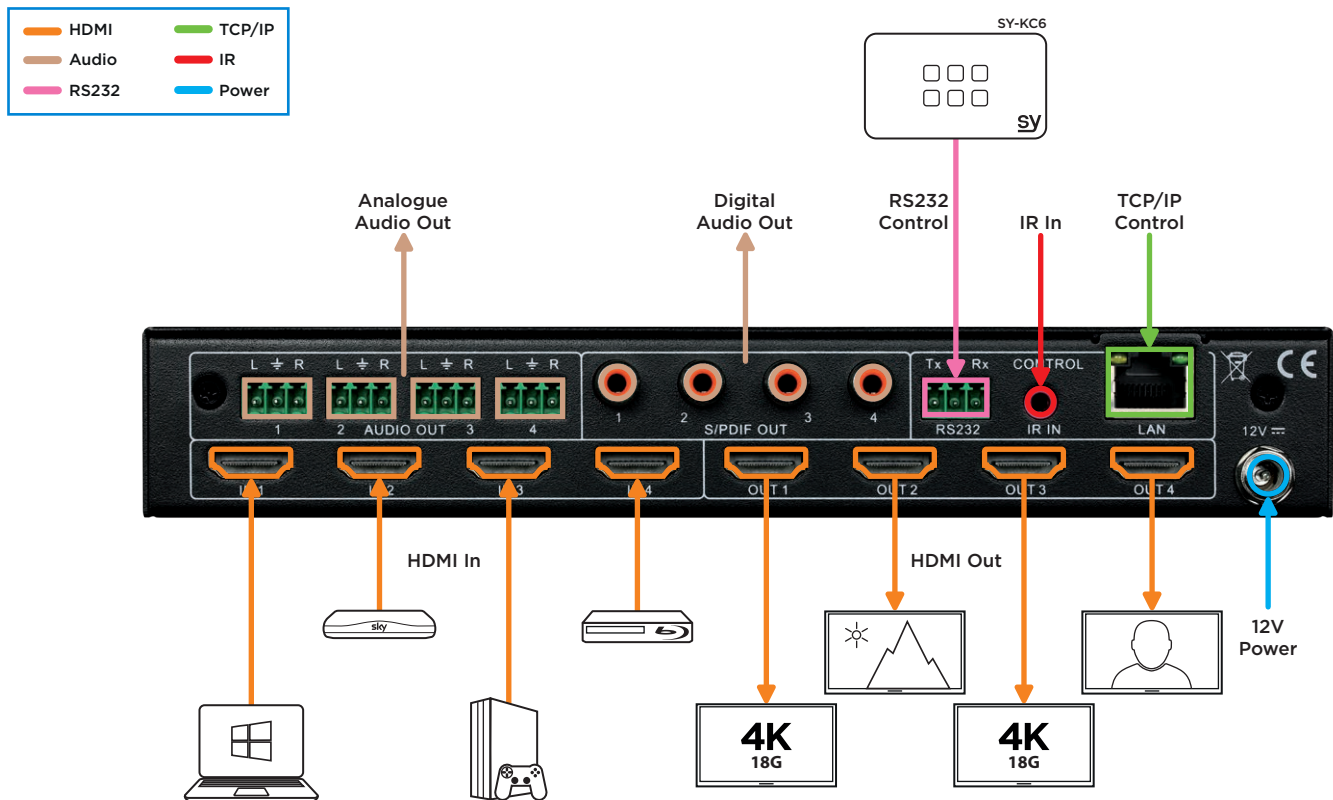
## MSU44-18G

The MSU44-18G is a 4x4 HDMI matrix switcher with full 18Gbps bandwidth and both analogue and digital audio De-embedding on each of its outputs. Each output can automatically downscale 4K to 2K where necessary to ensure that an image will be received on all Displays. The matrix has four methods of control: Front Panel, RS232, LAN or IR. A front panel locking feature helps prevent accidental operation.

## FEATURES

- 4x4 HDMI 2.0 (18G) Matrix
- HDMI resolution up to 4K60 4:4:4 (18Gbps)
- Auto-scaling 4K to 2K per output
- HDCP 1.4 and HDCP 2.2 Compliant
- Supports HDR10, HLG, & Dolby Vision
- Extensive EDID & HDCP Management
- 4x Analogue
- 4x Digital Coax audio outputs
- Control from Front Panel, RS232, LAN & IR
- Memory scene Pre-sets
- Test Pattern Generator - (Various Resolutions and Colours)
- Web Browser GUI

## CONNECTIVITY ILLUSTRATION



## SPECIFICATIONS

<b>PART NUMBER</b>	SY-MSU44-18G	
<b>VIDEO RESOLUTIONS/FORMATS</b>	VESA and SMPTE 480p to 2160p (4K UHD). All resolutions to: 4096x2160p @60Hz 4:2:0 8bit, 3840x2160p @30Hz 4:4:4 8bit. All PC resolutions to 1920x1200	
<b>BANDWIDTH</b>	18Gbps	
<b>HDCP</b>	Compatible with all versions up to 2.2	
<b>INPUTS</b>	<b>Video</b> 4x HDMI type A	
<b>OUTPUTS</b>	<b>Video</b> 4x HDMI type A	<b>Audio</b> 4x Digital S/PDIF 4x Analogue L+R
<b>CONTROL</b>	IR RS232 TCP/IP Front panel	
<b>POWER SUPPLY</b>	12V DC, X max.	
<b>POWER CONSUMPTION</b>	XW	
<b>WEIGHT AND DIMENSIONS</b>	<b>Weight (net)</b> Xkg	<b>Size (WHD)</b> X x X x Xmm
<b>WHAT'S IN THE BOX</b>	1x MSU44-18G 1x UK Power cable 1x User Manual	

SY-MSU44-18G Data Sheet 01. Details subject to change with no prior notice. ©SY Electronics 2023